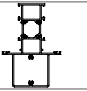
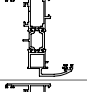
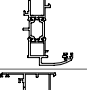
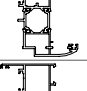
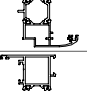
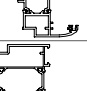
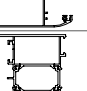
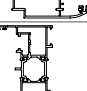
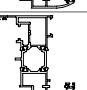
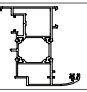
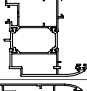
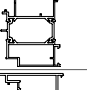
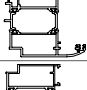
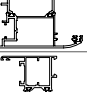
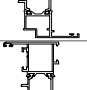
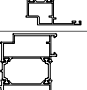
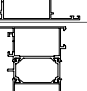
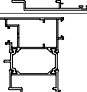
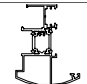




WD70 THERMO
KAPI ve PENCERE S STEM
(Door and Window System)


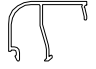
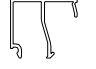








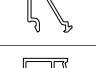

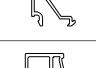


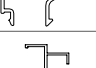
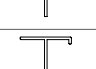

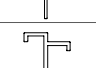

TAM ÖLÇEKL ALÜM NYUM PROF LLER
(Full Scale Aluminum Profiles)











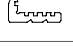


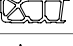
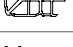
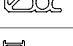
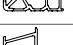


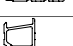

PROF L KES T PROFILE SECTION	PROF L KODU PROFILE CODE	PROF L ADI PROFILE NAME	Jx cm ⁴	Jy cm ⁴	A IRLIK (kg/m) WEIGHT
	70-7000-7001	KASA PROF L FRAME PROFILE	30,45 cm ⁴	10,01 cm ⁴	1,515 kg/mt
	70-7000-7002	KASA PROF L FRAME PROFILE	45,11 cm ⁴	13,50 cm ⁴	1,773 kg/mt
	70-7004-7005	KASA PROF L FRAME PROFILE	29,32 cm ⁴	10,00 cm ⁴	1,466 kg/mt
	70-7004-7006	KASA PROF L FRAME PROFILE	43,08 cm ⁴	14,62 cm ⁴	1,632 kg/mt
	70-7004-7007	KASA PROF L FRAME PROFILE	59,56 cm ⁴	17,81 cm ⁴	1,824 kg/mt
	70-8764-11886	KASA PROF L FRAME PROFILE	31,88 cm ⁴	9,40 cm ⁴	1,523 kg/mt
	70-7037-7001	Z KASA PROF L FRAME PROFILE	71,49 cm ⁴	45,47 cm ⁴	1,786 kg/mt
	70-7037-7002	Z KASA PROF L FRAME PROFILE	68,34 cm ⁴	30,87 cm ⁴	2,044 kg/mt
	70-7038-7005	Z KASA PROF L FRAME PROFILE	46,54 cm ⁴	26,19 cm ⁴	1,737 kg/mt
	70-7054-7055	Z KASA PROF L FRAME PROFILE	62,24 cm ⁴	29,35 cm ⁴	2,102 kg/mt
	70-7038-7006	Z KASA PROF L FRAME PROFILE	63,47 cm ⁴	30,68 cm ⁴	1,902 kg/mt
	70-7038-7007	Z KASA PROF L FRAME PROFILE	127,91 cm ⁴	53,99 cm ⁴	2,095 kg/mt
	70-7025-7024	ORTA KAYIT PROF L MULLION PROFILE	34,74 cm ⁴	11,91 cm ⁴	1,664 kg/mt
	70-7027-7026	ORTA KAYIT PROF L MULLION PROFILE	42,93 cm ⁴	33,70 cm ⁴	1,989 kg/mt
	70-7047-7046	ORTA KAYIT PROF L MULLION PROFILE	58,54 cm ⁴	25,37 cm ⁴	2,129 kg/mt
	70-7051-7050	ORTA KAYIT PROF L MULLION PROFILE	44,96 cm ⁴	17,98 cm ⁴	2,083 kg/mt
	70-7029-7028	ORTA KAYIT PROF L MULLION PROFILE	56,77 cm ⁴	108,18 cm ⁴	2,542 kg/mt
	70-7051-11851	ORTA KAYIT PROF L MULLION PROFILE	54,14 cm ⁴	17,29 cm ⁴	1,907 kg/mt
	70-8764-8763	ORTA KAYIT PROF L MULLION PROFILE	35,74 cm ⁴	15,72 cm ⁴	1,680 kg/mt
	70-7045-7044	ORTA KAYIT PROF L MULLION PROFILE	35,00 cm ⁴	19,88 cm ⁴	1,633 kg/mt
	70-7057-7056	ORTA KAYIT PROF L MULLION PROFILE	44,14 cm ⁴	33,35 cm ⁴	2,011 kg/mt

** Her profil için minimum sipari 300 kg'dır.
** Minimum order quantity is 300 kg per profile.

PROF L KES T PROFILE SECTION	PROF L KODU PROFILE CODE	PROF L ADI PROFILE NAME	Jx cm ⁴	Jy cm ⁴	A IRLIK (kg/m) WEIGHT
	70-8764-7175	TAKV YEL ORTA KAYIT PROF L REINFORCED MULLION PROFILE	114,88 cm ⁴	26,56 cm ⁴	2,466 kg/mt
	70-7008-7009	KANAT PROF L SASH PROFILE	36,51 cm ⁴	8,85 cm ⁴	1,451 kg/mt
	70-7016-7009	KANAT PROF L SASH PROFILE	36,00 cm ⁴	8,84 cm ⁴	1,432 kg/mt
	70-7010-7011	KANAT PROF L SASH PROFILE	42,25 cm ⁴	15,91 cm ⁴	1,650 kg/mt
	70-7017-7011	KANAT PROF L SASH PROFILE	41,55 cm ⁴	15,89 cm ⁴	1,622 kg/mt
	70-7048-7049	KANAT PROF L SASH PROFILE	50,68 cm ⁴	17,65 cm ⁴	1,928 kg/mt
	70-7015-7014	DI A AÇILIR KANAT PROF L OUTWARD OPENING SASH PROFILE	50,37 cm ⁴	41,06 cm ⁴	1,970 kg/mt
	70-7012-7013	KANAT PROF L SASH PROFILE	55,51 cm ⁴	41,06 cm ⁴	1,970 kg/mt
	70-7018-7011	PVC KANALLI KANAT PROF L PVC GROOVE SASH PROFILE	42,72 cm ⁴	15,46 cm ⁴	1,678 kg/mt
	70-7058-7059	PVC KANALLI KANAT PROF L PVC GROOVE SASH PROFILE	48,37 cm ⁴	16,54 cm ⁴	1,860 kg/mt
	70-7041-7042	PVC KANALLI KANAT PROF L PVC GROOVE SASH PROFILE	40,36 cm ⁴	24,82 cm ⁴	1,834 kg/mt
	70-11828-7013	PVC KANALLI KANAT PROF L PVC GROOVE SASH PROFILE	53,41 cm ⁴	40,77 cm ⁴	2,008 kg/mt
	70-11829-7015	PVC KANALLI KANAT PROF L PVC GROOVE SASH PROFILE	51,66 cm ⁴	40,77 cm ⁴	2,007 kg/mt
	70-7019-7013	PVC KANALLI KANAT PROF L PVC GROOVE SASH PROFILE	52,77 cm ⁴	40,78 cm ⁴	2,015 kg/mt
	70-7015-7020	DI A AÇILIR PVC KANALLI KANAT PROF L OUTWARD OPENING PVC GROOVE SASH PROFILE	51,17 cm ⁴	40,78 cm ⁴	2,015 kg/mt
	70-7010-11824	KANAT PROF L SASH PROFILE	40,50 cm ⁴	13,24 cm ⁴	1,570 kg/mt
	70-7017-11824	KANAT PROF L SASH PROFILE	41,55 cm ⁴	15,89 cm ⁴	1,537 kg/mt
	70-7015-11826	KANAT PROF L SASH PROFILE	49,05 cm ⁴	36,17 cm ⁴	1,860 kg/mt
	70-7012-11825	KANAT PROF L SASH PROFILE	53,41 cm ⁴	40,77 cm ⁴	1,880 kg/mt
	70-11828-11825	KANAT PROF L SASH PROFILE	51,62 cm ⁴	36,06 cm ⁴	1,930 kg/mt
	70-11927-7031	ADAPTÖR PROF L ADAPTER PROFILE	-	-	1,329 kg/mt

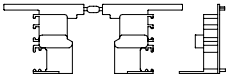
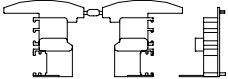
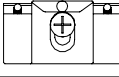
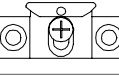

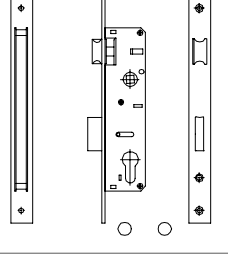
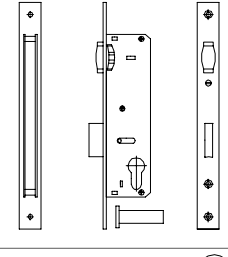
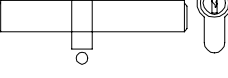
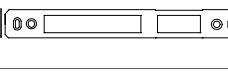
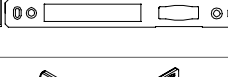

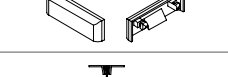
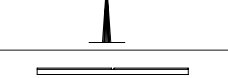
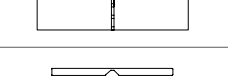


PROF L KES T PROFILE SECTION	PROF L KODU PROFILE CODE	PROF L ADI PROFILE NAME	Jx cm ⁴	Jy cm ⁴	A IRLIK (kg/m) WEIGHT
	70-11927-11827	ADAPTÖR PROF L ADAPTER PROFILE	-	-	1,289 kg/mt
	70-11926-11827	ADAPTÖR PROF L ADAPTER PROFILE	-	-	1,279 kg/mt
	70-11926-7031	ADAPTÖR PROF L ADAPTER PROFILE	-	-	1,340 kg/mt
	70-10629-10628	DI A AÇILIR ADAPTÖR PROF L OUTWARD OPENING ADAPTER PROFILE	-	-	1,304 kg/mt
	8241	T J PROF L STEM BAR PROFILE	-	-	0,099 kg/mt
	7021	DAMLALIK PROF L DROPPER PROFILE	-	-	0,140 kg/mt
	1011	DAMLALIK PROF L DROPPER PROFILE	-	-	0,402 kg/mt
	10923	KANAT KAPAMA PROF L STEM BAR PROFILE	-	-	0,295 kg/mt
	4242	DAMLALIK PROF L DROPPER PROFILE	-	-	0,094 kg/mt
	70-7030-7028	ETEK PROF L BOTTOM PROFILE	-	-	2,647 kg/mt
	70-12036-7030	ETEK PROF L BOTTOM PROFILE	-	-	2,697 kg/mt
	70-1734-1735	KÖ E DÖNÜ PROF L CORNER PROFILE	32,51 cm ⁴	26,21 cm ⁴	1,481 kg/mt
	55-1734-1735	KÖ E DÖNÜ PROF L CORNER PROFILE	22,53 cm ⁴	21,83 cm ⁴	1,465 kg/mt
	7180	ADAPTÖR PROF L ADAPTER PROFILE	-	-	0,244 kg/mt
	70-7018-7019	KAPI ALTI E K PROF L DOOR THRESHOLD PROFILE	-	-	1,019 kg/mt
	70-7033-7035	KÖ E DÖNÜ PROF L CORNER PROFILE	62,35 cm ⁴	62,35 cm ⁴	1,894 kg/mt
	70-7033-7034	KÖ E DÖNÜ PROF L CORNER PROFILE	26,72 cm ⁴	26,72 cm ⁴	1,531 kg/mt
	7060	ORTA KAYIT BA LANTI PROF L MULLION CONNETCION PROFILE	-	-	1,007 kg/mt
	3537	CAM ÇITASI GLAZING BEAD	-	-	0,367 kg/mt
	1749	CAM ÇITASI GLAZING BEAD	-	-	0,356 kg/mt
	1747	CAM ÇITASI GLAZING BEAD	-	-	0,340 kg/mt

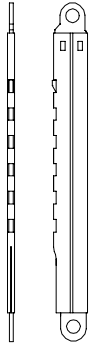
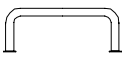
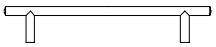

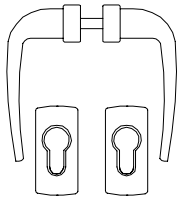
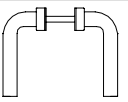

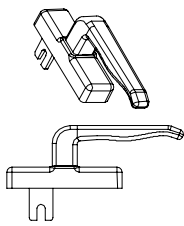
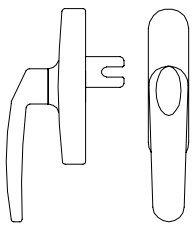
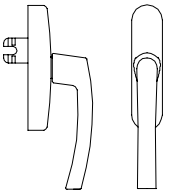
PROF L KES T PROFILE SECTION	PROF L KODU PROFILE CODE	PROF L ADI PROFILE NAME	Jx cm ⁴	Jy cm ⁴	A IRLIK (kg/m) WEIGHT
	1750	CAM ÇİTASI GLAZING BEAD	-	-	0,342 kg/mt
	1748	CAM ÇİTASI GLAZING BEAD	-	-	0,327 kg/mt
	3636	CAM ÇİTASI GLAZING BEAD	-	-	0,321 kg/mt
	1966	CAM ÇİTASI GLAZING BEAD	-	-	0,314 kg/mt
	2236	CAM ÇİTASI GLAZING BEAD	-	-	0,310 kg/mt
	1949	CAM ÇİTASI GLAZING BEAD	-	-	0,306 kg/mt
	5527	CAM ÇİTASI GLAZING BEAD	-	-	0,293 kg/mt
	1745	CAM ÇİTASI GLAZING BEAD	-	-	0,292 kg/mt
	1746	CAM ÇİTASI GLAZING BEAD	-	-	0,279 kg/mt
	5546	CAM ÇİTASI GLAZING BEAD	-	-	0,271 kg/mt
	3536	CAM ÇİTASI GLAZING BEAD	-	-	0,329 kg/mt
	1698	CAM ÇİTASI GLAZING BEAD	-	-	0,270 kg/mt
	1699	CAM ÇİTASI GLAZING BEAD	-	-	0,285 kg/mt
	1948	CAM ÇİTASI GLAZING BEAD	-	-	0,235 kg/mt
	3539	CAM ÇİTASI GLAZING BEAD	-	-	0,277 kg/mt
	676	CAM ÇİTASI GLAZING BEAD	-	-	0,331 kg/mt
	7043	CAM ÇİTASI GLAZING BEAD	-	-	0,366 kg/mt
	1121	T BA LANTI PROF L T CONNECTION PROFILE	-	-	0,232 kg/mt
	1035	T BA LANTI PROF L T CONNECTION PROFILE	-	-	0,239 kg/mt
	1139	T BA LANTI PROF L T CONNECTION PROFILE	-	-	0,239 kg/mt
	1123	T BA LANTI PROF L T CONNECTION PROFILE	-	-	0,355 kg/mt

PROF L KES T PROFILE SECTION	PROF L KODU PROFILE CODE	PROF L ADI PROFILE NAME	Jx cm ⁴	Jy cm ⁴	A IRLIK (kg/m) WEIGHT
	5788	T BA LANTI PROF L T CONNECTION PROFILE	-	-	0,205 kg/mt
	6414	T BA LANTI PROF L T CONNECTION PROFILE	-	-	0,175 kg/mt
	3917	T BA LANTI PROF L T CONNECTION PROFILE	-	-	0,162 kg/mt
	3832	T BA LANTI PROF L T CONNECTION PROFILE	-	-	0,175 kg/mt
	3818	T BA LANTI PROF L T CONNECTION PROFILE	-	-	0,210 kg/mt
	7039	T BA LANTI PROF L T CONNECTION PROFILE	-	-	0,260 kg/mt
	6414	T BA LANTI PROF L T CONNECTION PROFILE	-	-	0,175 kg/mt
	5788	T BA LANTI PROF L T CONNECTION PROFILE	-	-	0,205 kg/mt
	10012	PERVAZ PROF L SILL PROFILE	-	-	0,805 kg/mt
	553	PERVAZ PROF L SILL PROFILE	-	-	0,656 kg/mt
	413	KÖ E TAKOZ PROF L CORNER WEDGE PROFILE	-	-	3,666 kg/mt
	5022	KÖ E TAKOZ PROF L CORNER WEDGE PROFILE	-	-	2,370 kg/mt
	1662	KÖ E TAKOZ PROF L CORNER WEDGE PROFILE	-	-	2,591 kg/mt
	7022	KÖ E TAKOZ PROF L CORNER WEDGE PROFILE	-	-	3,952 kg/mt
	3088	KÖ E TAKOZ PROF L CORNER WEDGE PROFILE	-	-	2,608 kg/mt
	1661	KÖ E TAKOZ PROF L CORNER WEDGE PROFILE	-	-	3,688 kg/mt
	1663	KÖ E TAKOZ PROF L CORNER WEDGE PROFILE	-	-	3,526 kg/mt
	3698	KÖ E TAKOZ PROF L CORNER WEDGE PROFILE	-	-	4,241 kg/mt
	1664	KÖ E TAKOZ PROF L CORNER WEDGE PROFILE	-	-	3,991 kg/mt
	3546	KÖ E TAKOZ PROF L CORNER WEDGE PROFILE	-	-	3,357 kg/mt
	7040	KÖ E TAKOZ PROF L CORNER WEDGE PROFILE	-	-	3,398 kg/mt

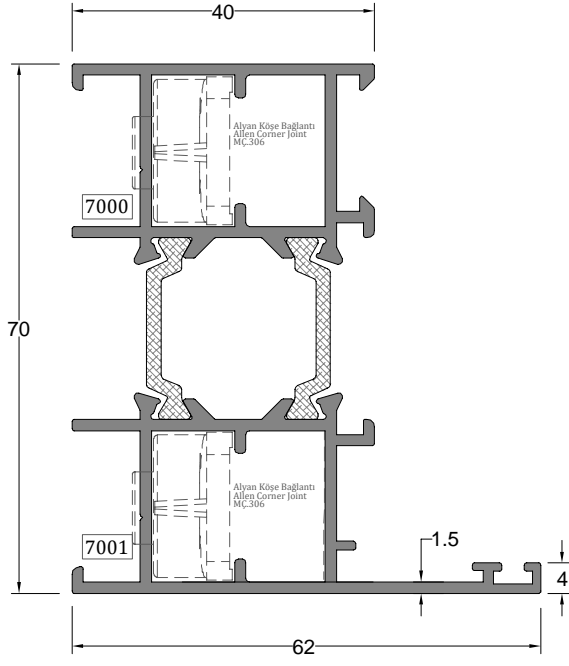
** Her profil için minimum sipari 300 kg'dır.
** Minimum order quantity is 300 kg per profile.

AKSESUAR ACCESSORY	STOK KODU REFERENCE CODE	AKSESUAR ADI DESCRIPTION	AKSESUAR KODU PRODUCT CODE	PAKET PACK
	03 010438	KASA KANAT F T L FRAME GASKET	WD70T-KBF.70	303 mt / paket 10 kg
	03 070124	DI CAM F T L OUTER GLAZING GASKET	WD70T-DCF.75	150 mt / paket 10 kg
	03 070122	DI CAM F T L OUTER GLAZING GASKET	WD70T-DCF.73	196 mt / paket 10 kg
	03 011230	Ç CAM F T L INNER GLAZING GASKET	WD70T- CF.30	330 mt / paket 10 kg
	03 011231	Ç CAM F T L INNER GLAZING GASKET	WD70T- CF.40	205 mt / paket 10 kg
	03 010732	Ç CAM F T L INNER GLAZING GASKET	WD70T- CF.50	175 mt / paket 10 kg
	03 011236	Ç CAM F T L INNER GLAZING GASKET	WD70T- CF.23	210 mt / paket 10 kg
	03 011237	Ç CAM F T L INNER GLAZING GASKET	WD70T- CF.45	255 mt / paket 10 kg
	03 011036	ORTA B N F T L MIDDLE GASKET	WD70T-OBF.70	40 mt / paket 10 kg
	03 070304	VULKAN ZE KÖ E BA LANTI VULCANIZED CORNER CONNECTION	WD70T-KVF.70	1 pk / 20 ad
 10,6 mm x 19 mm	01 130306	ALYAN KÖ E BA LANTI ALLEN CORNER CONNECTION	WD70T-MÇ.306	1 pk / 250 ad
 10,5 mm x 26 mm	01 130307	ALYAN KÖ E BA LANTI ALLEN CORNER CONNECTION	WD70T-MÇ.307	1 pk / 250 ad
 26,4 mm x 13,9 mm	01 130338	ALYAN KÖ E BA LANTI ALLEN CORNER CONNECTION	WD70T-MÇ.338	1 pk / 250 ad
 26,7 mm x 22,4 mm	01 130339	ALYAN KÖ E BA LANTI ALLEN CORNER CONNECTION	WD70T-MÇ.339	1 pk / 250 ad
 26,2 mm x 22,5 mm	01 130336	ALYAN KÖ E BA LANTI ALLEN CORNER CONNECTION	WD70T-MÇ.336	1 pk / 250 ad
 26,7 mm x 42,7 mm	01 130337	ALYAN KÖ E BA LANTI ALLEN CORNER CONNECTION	WD70T-MÇ.307	1 pk / 250 ad
	01 130318	KÖ E GÖNYE CORNER BRACKET	WD70T-KG.318	1 pk / 1000 ad
	01 130314	KÖ E ÇAVU U CORNER CONNECTION	WD70T-FJ.314	1 pk / 250 ad

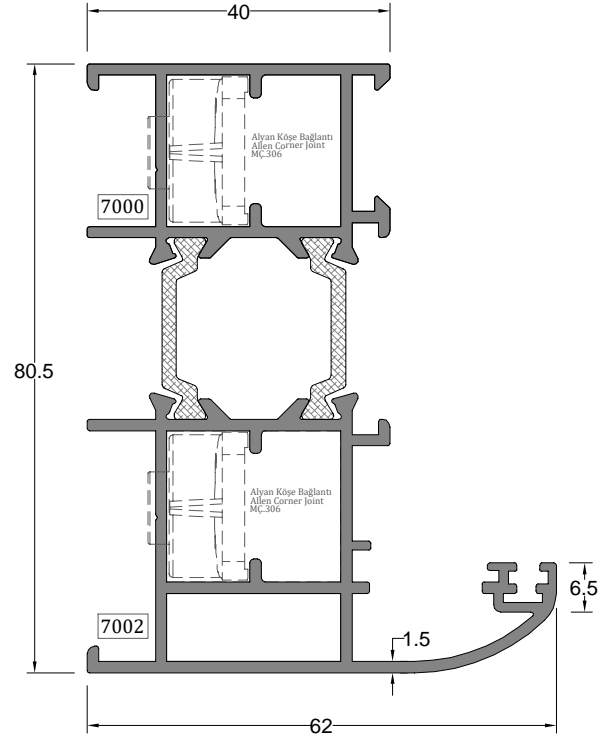
AKSESUAR ACCESSORY	STOK KODU REFERENCE CODE	AKSESUAR ADI DESCRIPTION	AKSESUAR KODU PRODUCT CODE	PAKET PACK
	01 110252	S STEM WD70T ADAPTÖR KAPA I DÜZ ADAPTER COVER	WD70T-ADK.252	1 pk / 10 TK
	01 110250	S STEM WD70T ADAPTÖR KAPA I OVAL ADAPTER COVER	WD70T-ADK.250	1 pk / 10 TK
	01 120201	AYARLI SPANYOLET KAR ILI I (SETSUKURLU) ESPAGNOLETTE STRIKER (PINNED)	WD70T-TPK.201	1 pk / 100 ad
	01 120200	SPANYOLET KAR ILI I (V DALI) ESPAGNOLETTE STRIKER (SCREWED)	WD70T-TPK.200	1 pk / 100 ad
	01 120100	SPANYOLET P M ESPAGNOLETTE PIN	WD70T-TP.100	1 pk / 100 ad
	05 010401	153 35 D LL K L T BOLT LOCK	WD70T-DK.401	1 pk / 30 ad
	05 010405	155 35 MAKARALI K L T ROLLED LOCK	WD70T-MK.405	1 pk / 30 ad
	05 011106	96 MM BAREL (AS METRİK) 96 MM CYLINDER (ASYMMETRIC)	WD70T-BR.106	1 pk / 24 ad
	01 060210	OVAL SER K L T KAR ILI I (D LL) OVAL SERIES LOCK STRIKER (ROLLER)	WD70T-KK.210	1 pk / 50 ad
	01 060211	OVAL SER K L T KAR ILI I (MAKARALI) OVAL SERIES LOCK STRIKER (BOLT)	WD70T-KK.211	1 pk / 50 ad
	04 010115	SABIT PERDEL YA MUR TAHL YE KAPAK WATER DRAIN COVER (FIXED)	WD70T-TK.115	1 pk / 1000 ad
	04 010112	HAREKETL PERDEL YA MUR TAHL YE KAPAK WATER DRAIN COVER (MOVEABLE)	WD70T-TK.112	1 pk / 1000 ad
	01 150200	ALÜM NYUM KAPI ALTI FIRÇASI ALUMINIUM DOORBASE BRUSH	WD70T-KF.200	1 pk / 100 ad
	06 140203	CAM TAKOZU (3X20X80 mm) GLAZING WEDGE 3mm	WD70T-CT.203	1 pk / 1000 ad
	06 140210	CAM TAKOZU (5X28X80 mm) GLAZING WEDGE 5mm	WD70T-CT.210	1 pk / 1000 ad
	06 140208	CAM TAKOZU (5X20X80 mm) GLAZING WEDGE 5mm	WD70T-CT.208	1 pk / 1000 ad

AKSESUAR ACCESSORY	STOK KODU REFERENCE CODE	AKSESUAR ADI DESCRIPTION	AKSESUAR KODU PRODUCT CODE	PAKET PACK
	01 081000	AYARLI KADEMEL MAKAS (5 KADEME) ADJUSTABLE TRUSS	WD70T-KM.1000	1 pk / 10 ad
	01 081001	AYARLI KADEMEL MAKAS (3 KADEME) ADJUSTABLE TRUSS	WD70T-KM.1001	1 pk / 10 ad
	01 051101	U KOL (ELOKSALLI) U-SHAPED HANDLE (ANODIZED)	WD70T-UK.101	1 pk / 10 ad
	01 031309	H KOL (ELOKSALLI) H-SHAPED HANDLE (ANODIZED)	WD70T-HK.309	1 pk / 10 ad
	01 030401	KIVRIK KOL (ELOKSALLI) CONVOLUTED HANDLE (ANODIZED)	WD70T-VK.401	1 pk / 10 ad
	01 040902	FORZA KAPI KOLU(BEYAZ) FORZA DOOR HANDLE(WHITE)	WD70T-FK.902	1 pk / 10 ad
	01 040903	FORZA KAPI KOLU(RENKL) FORZA DOOR HANDLE(COLOURED)	WD70T-FK.903	1 pk / 10 ad
	01 040904	FORZA KAPI KOLU(NATUREL) FORZA DOOR HANDLE(NATURAL)	WD70T-FK.904	1 pk / 10 ad
	01 040104	YAYLI SOS S KOL SPRING DOOR HANDLE	WD70T-YK.104	1 pk / 50 ad
	01 040109	YAYLI SOS S KOL BAREL ROZET SPRING DOOR HANDLE CYLINDER BADGE	WD70T-BR.109	1 pk / 2 ad
	01 020810	FORZA EKSENEL KOL YEN (NATUREL) FORZA NEW AXIEL HANDLE(NATURAL)	WD70T-EK.810	1 pk / 50 ad
	01 020811	FORZA EKSENEL KOL YEN (BEYAZ) FORZA NEW AXIEL HANDLE(WHITE)	WD70T-EK.811	1 pk / 50 ad
	01 020812	FORZA EKSENEL KOL YEN (RENKL) FORZA NEW AXIEL HANDLE(COLOURED)	WD70T-EK.812	1 pk / 50 ad
	01 020702	FORZA EKSENEL PENCERE KOL(BEYAZ) FORZA AXIAL WINDOW HANDLE(WHITE)	WD70T-FPK.702	1 pk / 20 ad
	01 020703	FORZA EKSENEL PENCERE KOL(RENKL) FORZA AXIAL WINDOW HANDLE(COLORED)	WD70T-FPK.703	1 pk / 20 ad
	01 020803	FORZA EKSENEL PENCERE KOL(NATUREL) FORZA WINDOW AXIAL HANDLE (NATURAL)	WD70T-FPK.803	1 pk / 20 ad
	01 020601	EKSENEL KOL ROTO(ELOKSALLI) ROTO AXIAL HANDLE(ANODIZED)	WD70T-RK.601	1 pk / 10 ad
	01 020604	EKSENEL KOL ROTO(ELOKSALLI K L TL) ROTO AXIAL HANDLE(ANODIZED LOCKED)	WD70T-RK604	1 pk / 10 ad

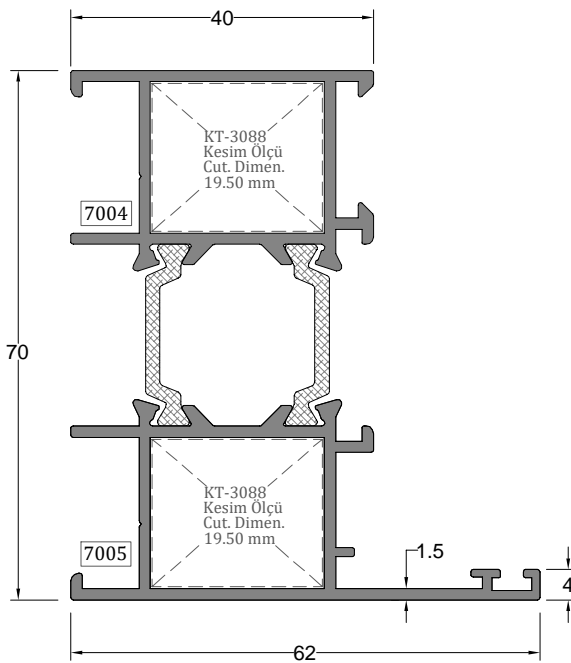
AKSESUAR ACCESSORY	STOK KODU REFERENCE CODE	AKSESUAR ADI DESCRIPTION	AKSESUAR KODU PRODUCT CODE	PAKET PACK
	01 081702	S STEM AYARLI VAS STAS ÇARPMA(NATUREL) SYSTEM TRANSOM CATCH (NATUREL)	WD70T-VÇ.702	1 pk / 100 ad
	01 081703	S STEM AYARLI VAS STAS ÇARPMA(BEYAZ) SYSTEM TRANSOM CATCH (WHITE)	WD70T-VÇ.703	1 pk / 100 ad
	01 081704	S STEM AYARLI VAS STAS ÇARPMA(RENKL) SYSTEM TRANSOM CATCH (COLORED)	WD70T-VÇ.704	1 pk / 100 ad
	01 011301	OVAL SER PENCERE MENTE E (ELOKSALLI) OVAL SERIES WINDOW HINGE (ANODIZED)	WD70T-PM.301	1 pk / 10 ad
	01 011302	OVAL SER PENCERE MENTE E (BEYAZ) OVAL SERIES WINDOW HINGE (WHITE)	WD70T-PM.302	1 pk / 10 ad
	01 011303	OVAL SER PENCERE MENTE E (RENKL) OVAL SERIES WINDOW HINGE (COLORED)	WD70T-PM.303	1 pk / 10 ad
	01 011601	OVAL SER KAPI MENTE E (ELOKSALLI) OVAL SERIES DOOR HINGE (ANODIZED)	WD70T-KM.601	1 pk / 10 ad
	01 011602	OVAL SER KAPI MENTE E (BEYAZ) OVAL SERIES DOOR HINGE (WHITE)	WD70T-KM.602	1 pk / 10 ad
	01 011603	OVAL SER KAPI MENTE E (RENKL) OVAL SERIES DOOR HINGE (COLORED)	WD70T-PM.603	1 pk / 10 ad
	01 090650	PVC KANALLI TEK AÇILIM MENTE E (9/18) PVC GROOVED CASEMENT HINGE (9/18)	WD70T-PM.650	1 pk / 100 ad
	01 090680	PVC KANALLI Ç FT AÇILIM MENTE E TAKIMI (9/18) PVC GROOVED TILT&TURN SET (9/18)	WD70T-PMT.680	1 pk / 100 ad
	01 080301	S STEM 13 CM VAS STAS MAKAS (ELOKSALLI) SYSTEM 13 CM TRANSOM TRUSS (ANODIZED)	WD70T-VM.301	1 pk / 50 ad
	01 080302	S STEM 13 CM VAS STAS MAKAS (BEYAZ) SYSTEM 13 CM TRANSOM TRUSS (WHITE)	WD70T-VM.302	1 pk / 50 ad
	01 080303	S STEM 13 CM VAS STAS MAKAS (RENKL) SYSTEM 13 CM TRANSOM TRUSS (COLORED)	WD70T-VM.303	1 pk / 50 ad
	01 080401	S STEM 22 CM VAS STAS MAKAS (ELOKSALLI) SYSTEM 22 CM TRANSOM TRUSS (ANODIZED)	WD70T-VM.401	1 pk / 50 ad
	01 080402	S STEM 22 CM VAS STAS MAKAS (BEYAZ) SYSTEM 22 CM TRANSOM TRUSS (WHITE)	WD70T-VM.402	1 pk / 50 ad
	01 080403	S STEM 22 CM VAS STAS MAKAS (RENKL) SYSTEM 22 CM TRANSOM TRUSS (COLORED)	WD70T-VM.403	1 pk / 50 ad



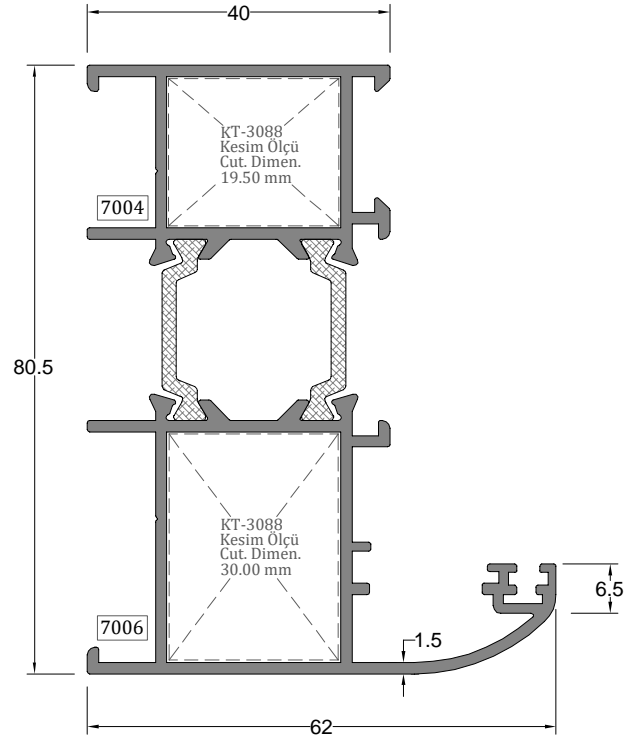
Kasa Profili FRAME PROFILE	Profil Kodu Profile Code	(kg/mt) Weight	Jx cm ⁴	Jy cm ⁴
	70-7000-7001	1,515	30,45	10,01



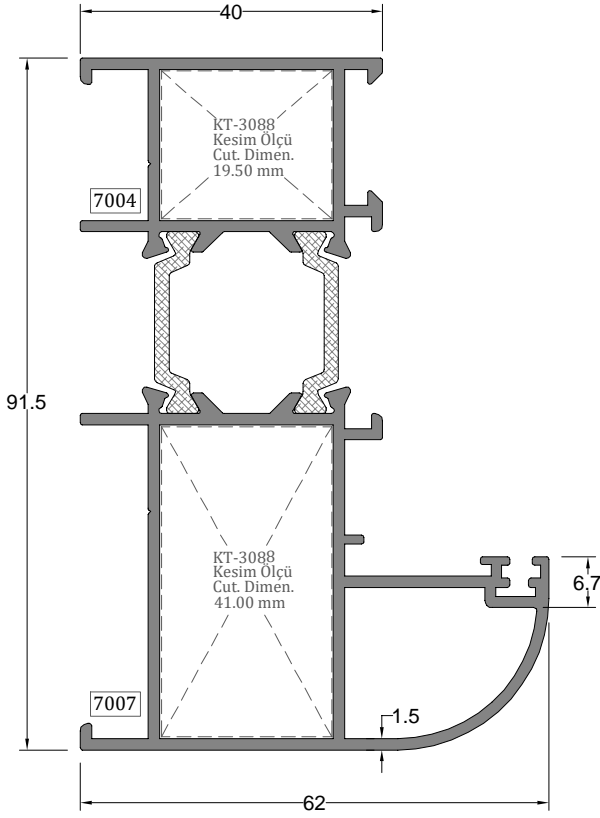
Kasa Profili FRAME PROFILE	Profil Kodu Profile Code	(kg/mt) Weight	Jx cm ⁴	Jy cm ⁴
	70-7000-7002	1,773	45,11	13,50



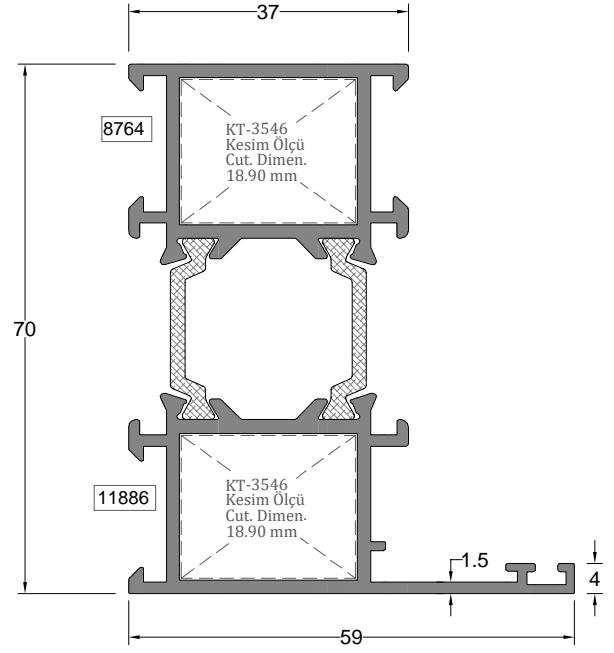
Kasa Profili FRAME PROFILE	Profil Kodu Profile Code	(kg/mt) Weight	Jx cm ⁴	Jy cm ⁴
	70-7004-7005	1,466	29,32	10,00



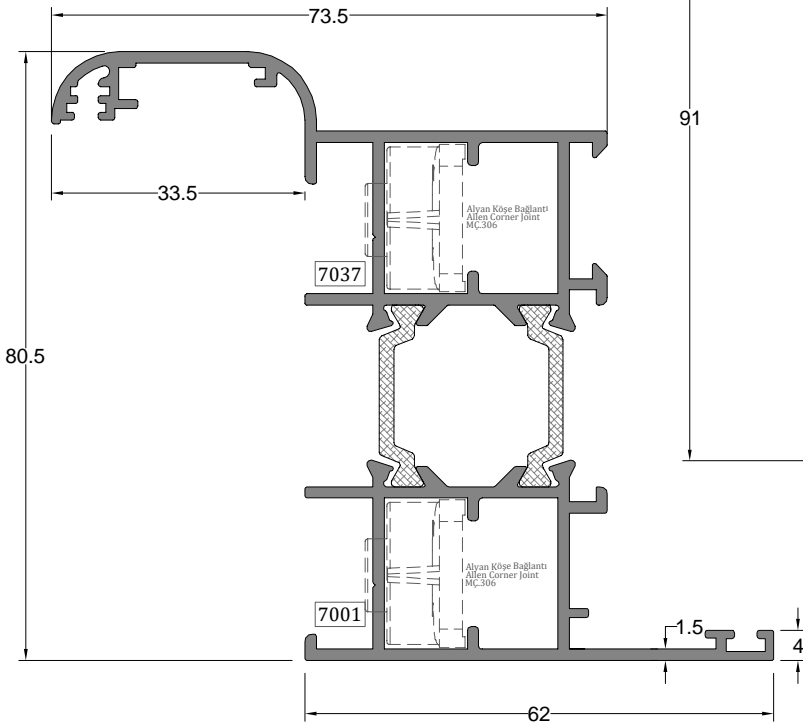
Kasa Profili FRAME PROFILE	Profil Kodu Profile Code	(kg/mt) Weight	Jx cm ⁴	Jy cm ⁴
	7004-7006	1,632	43,08	14,62



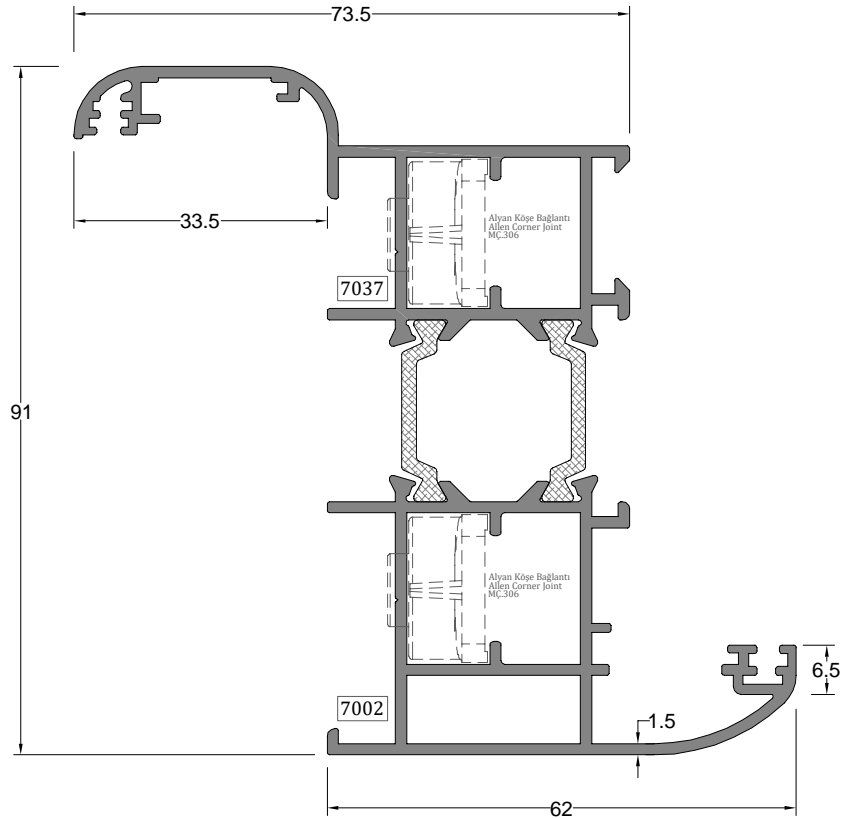
Kasa Profili FRAME PROFILE	Profil Kodu Profile Code	(kg/mt) Weight	Jx cm ⁴	Jy cm ⁴
	70-7004-7007	1,824	59,56	17,81



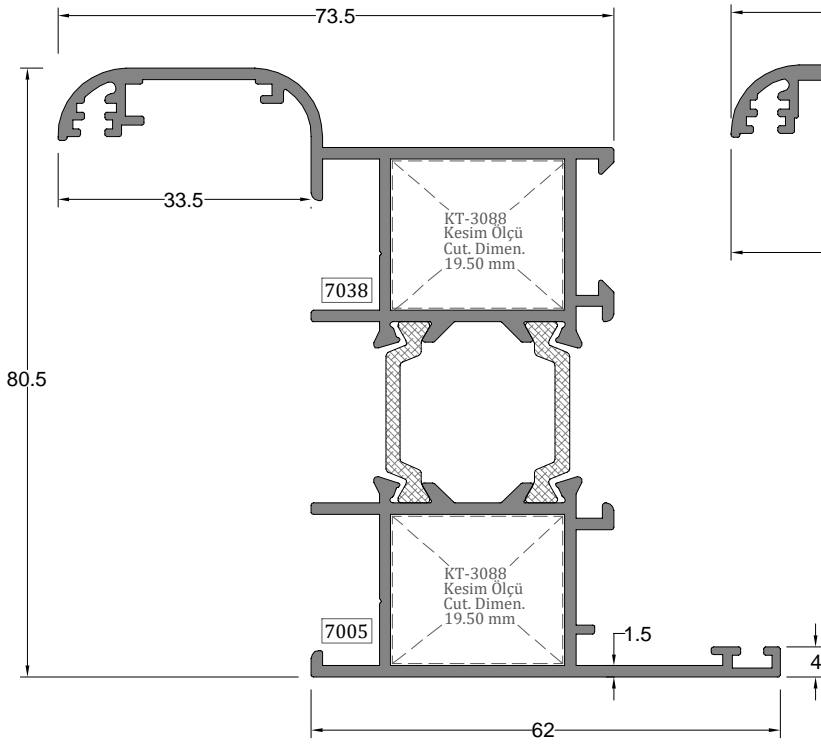
Kasa Profili FRAME PROFILE	Profil Kodu Profile Code	(kg/mt) weight	Jx cm ⁴	Jy cm ⁴
	70-8764-11886	1,523	31,88	9,40



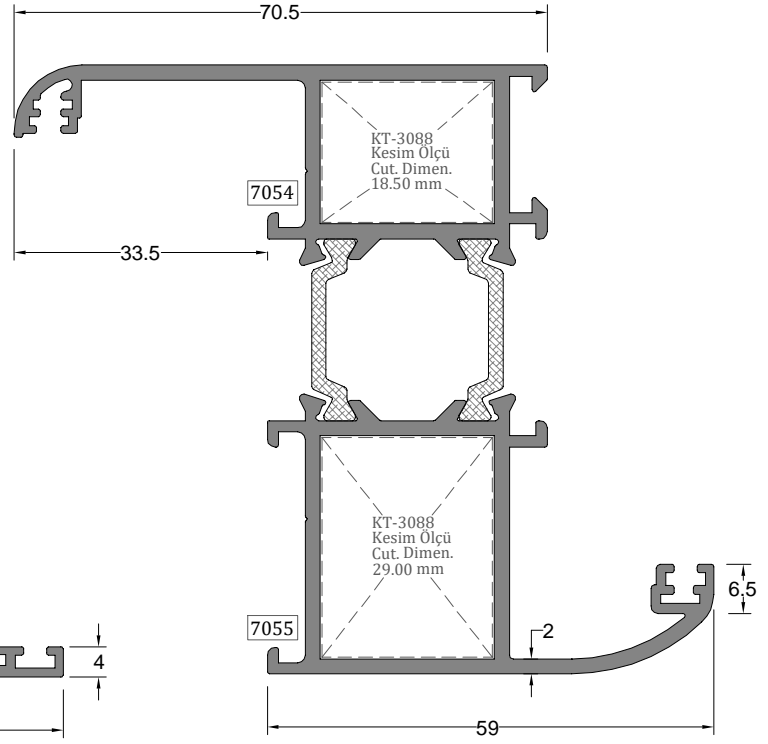
Z Kasa Profili FRAME PROFILE	Profil Kodu Profile Code	(kg/mt) Weight	Jx cm ⁴	Jy cm ⁴
	70-7037-7001	1,786	71,49	45,47



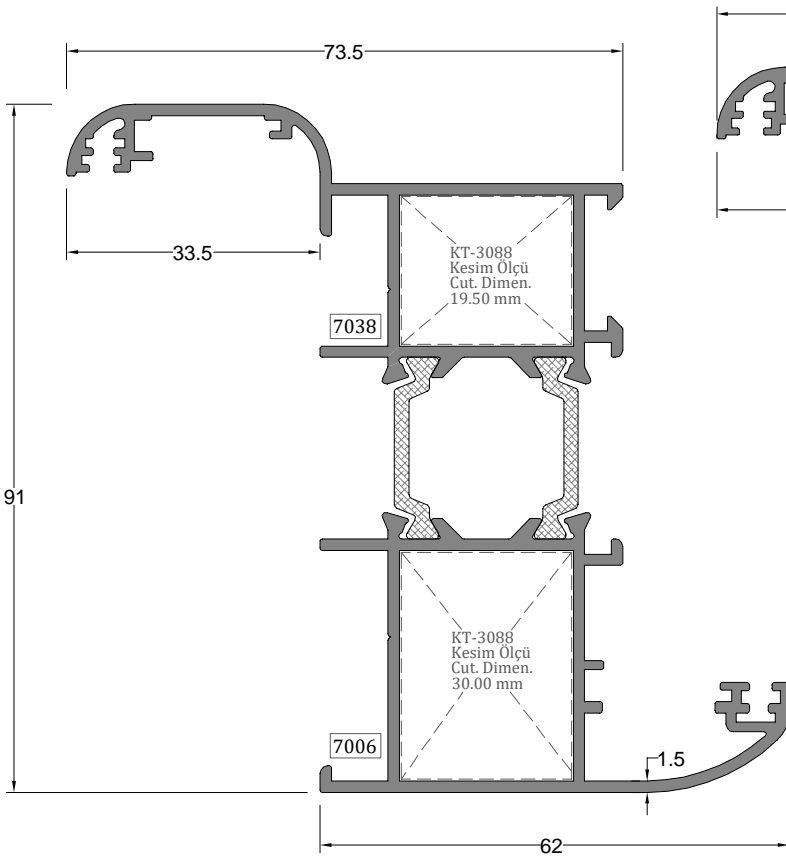
Z Kasa Profili FRAME PROFILE	Profil Kodu Profile Code	(kg/mt) Weight	Jx cm ⁴	Jy cm ⁴
	70-7037-7002	2,044	68,34	30,87



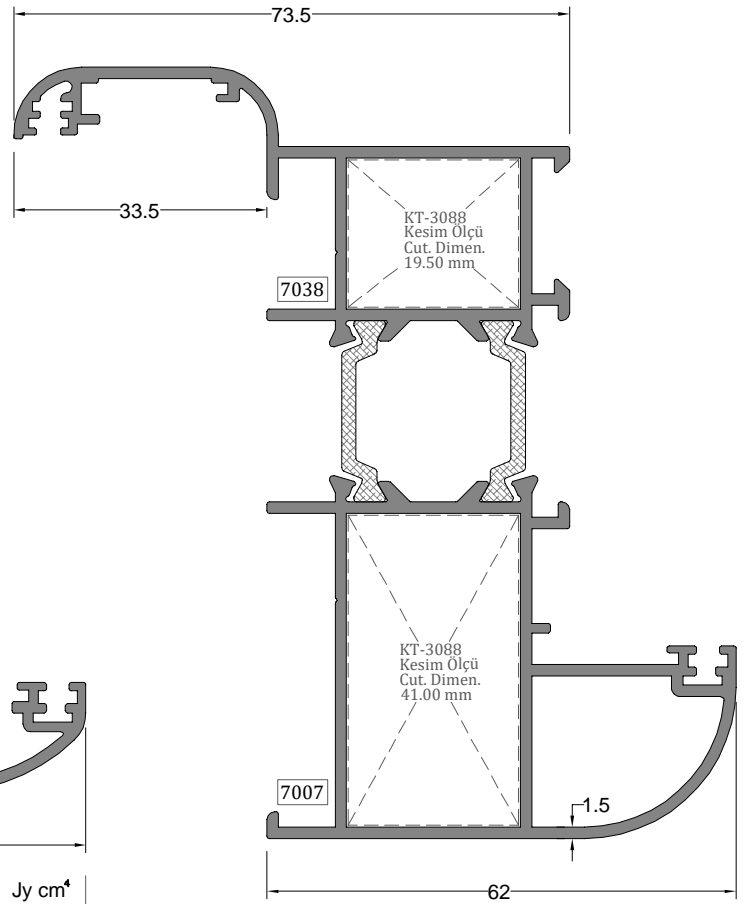
Z Kasa Profili FRAME PROFILE	Profil Kodu Profile Code	(kg/mt) Weight	Jx cm ⁴	Jy cm ⁴
	70-7038-7005	1,737	46,54	26,19



Z Kasa Profili FRAME PROFILE	Profil Kodu Profile Code	(kg/mt) Weight	Jx cm ⁴	Jy cm ⁴
	70-7054-7055	2,102	62,24	29,35

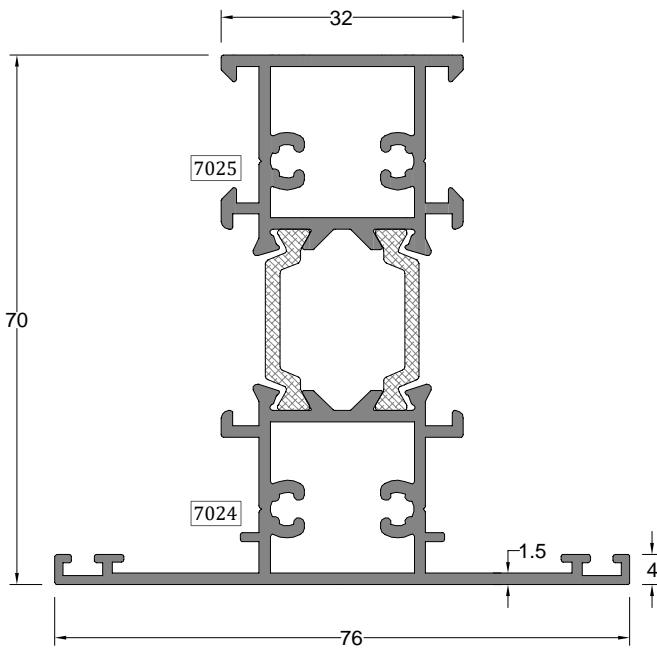


Z Kasa Profili FRAME PROFILE	Profil Kodu Profile Code	(kg/mt) Weight	Jx cm ⁴	Jy cm ⁴
	70-7038-7006	1,902	63,47	30,68

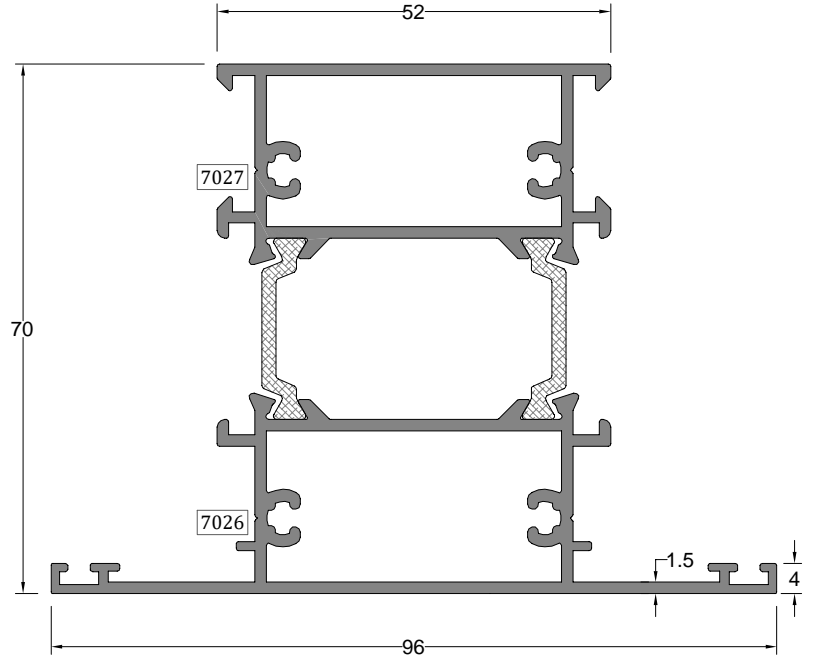


Z Kasa Profili FRAME PROFILE	Profil Kodu Profile Code	(kg/mt) Weight	Jx cm ⁴	Jy cm ⁴
	70-7038-7007	2,095	127,91	53,99

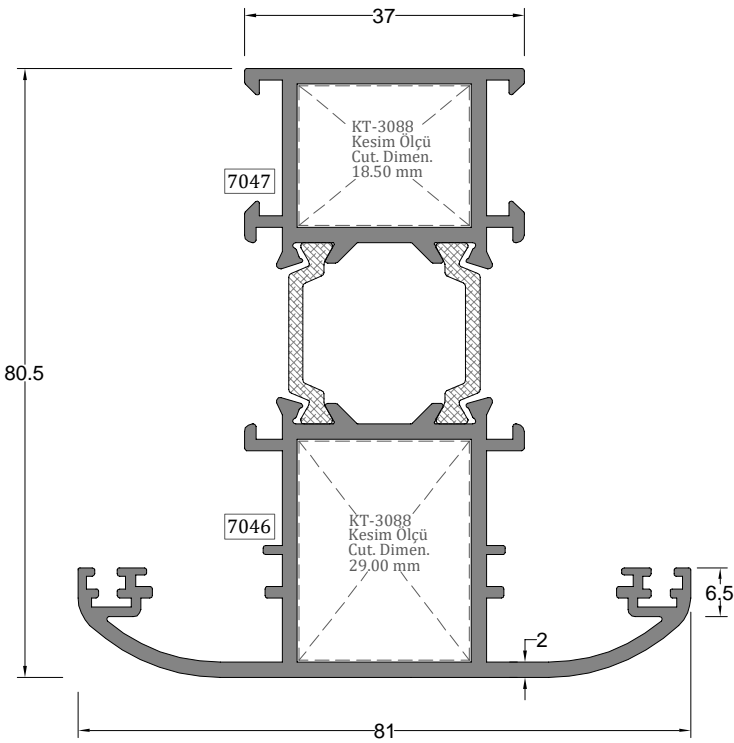
** Her profil için minimum sipari 300 kg'dır.
** Minimum order quantity is 300 kg per profile.



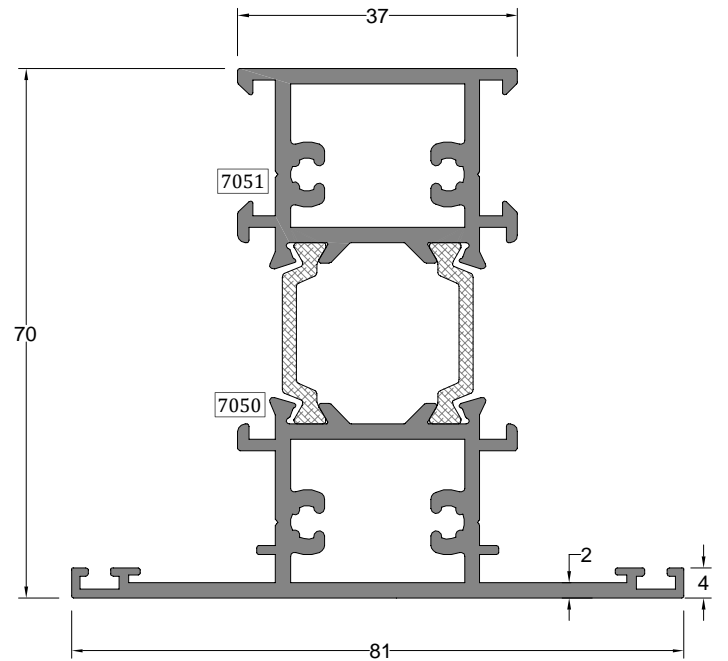
Orta Kayıt Profili MULLION PROFILE	Profil Kodu Profile Code	(kg/mt) Weight	Jx cm ⁴	Jy cm ⁴
	70-7025-7024	1,664	34,74	11,91



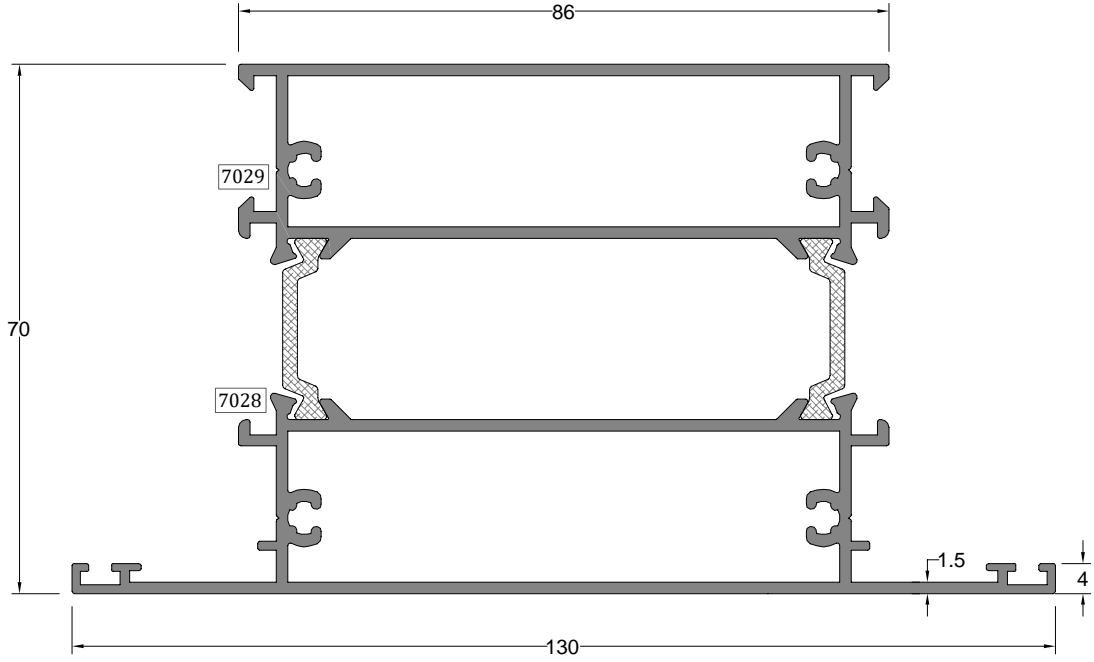
Orta Kayıt Profili MULLION PROFILE	Profil Kodu Profile Code	(kg/mt) Weight	Jx cm ⁴	Jy cm ⁴
	70-7027-7026	1.989	42,93	33,70



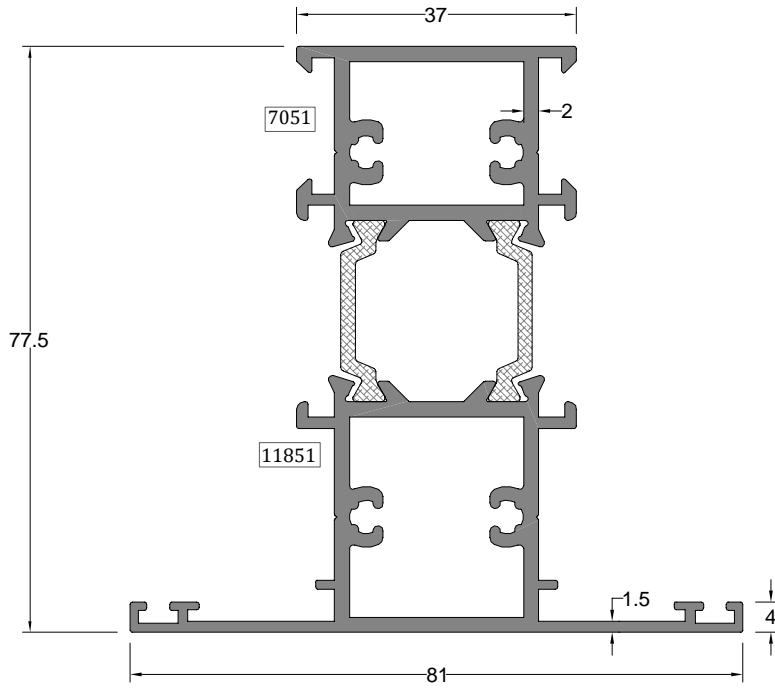
Orta Kayıt Profili MULLION PROFILE	Profil Kodu Profile Code	(kg/mt) Weight	Jx cm ⁴	Jy cm ⁴
	70-7047-7046	2,129	58,54	25,37



Orta Kayıt Profili MULLION PROFILE	Profil Kodu Profile Code	(kg/mt) Weight	Jx cm ⁴	Jy cm ⁴
	70-7051-7050	2,083	44,96	17,98

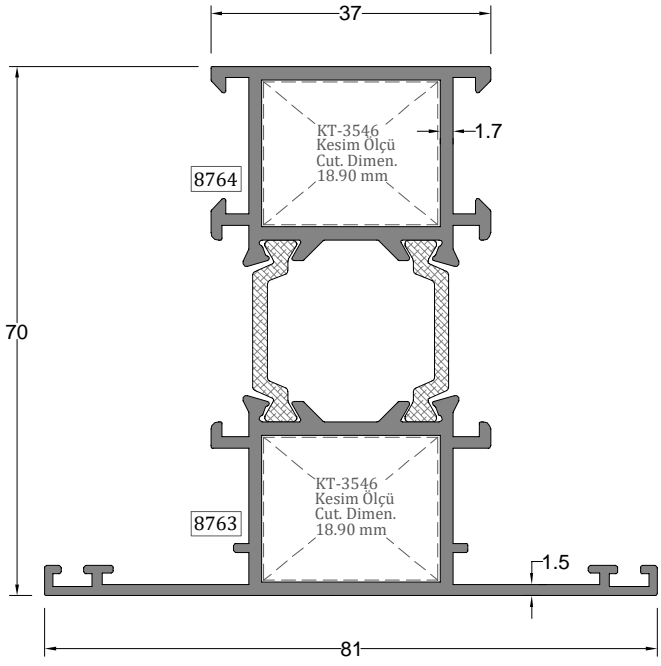


Orta Kayıt Profili MULLION PROFILE	Profil Kodu Profile Code	(kg/mt) Weight	Jx cm ⁴	Jy cm ⁴
	70-7029-7028	2,542	56,77	108,18

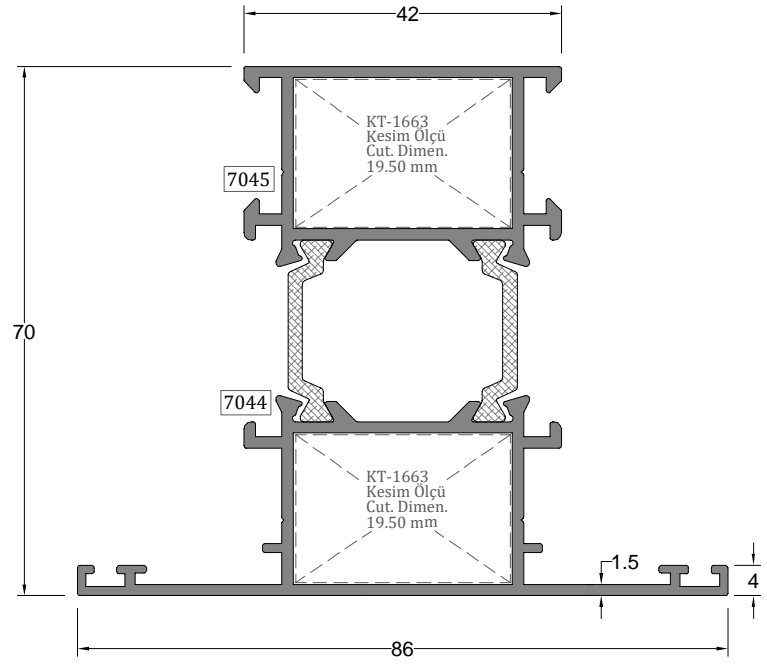


(7010-11824)*(7012-11825)*(7015-11826)*(11828-11825) profillerde kullanılır

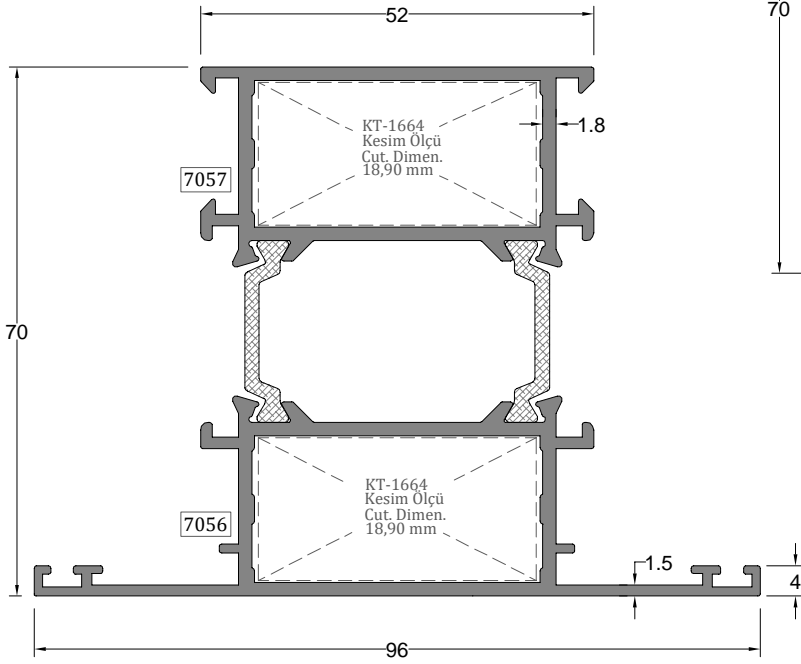
Kanat çİ Orta Kayıt Profili MULLION PROFILE (IN-SASH)	Profil Kodu Profile Code	(kg/mt) Weight	Jx cm ⁴	Jy cm ⁴
	70-7051- 11851	1,907	54,14	17,29



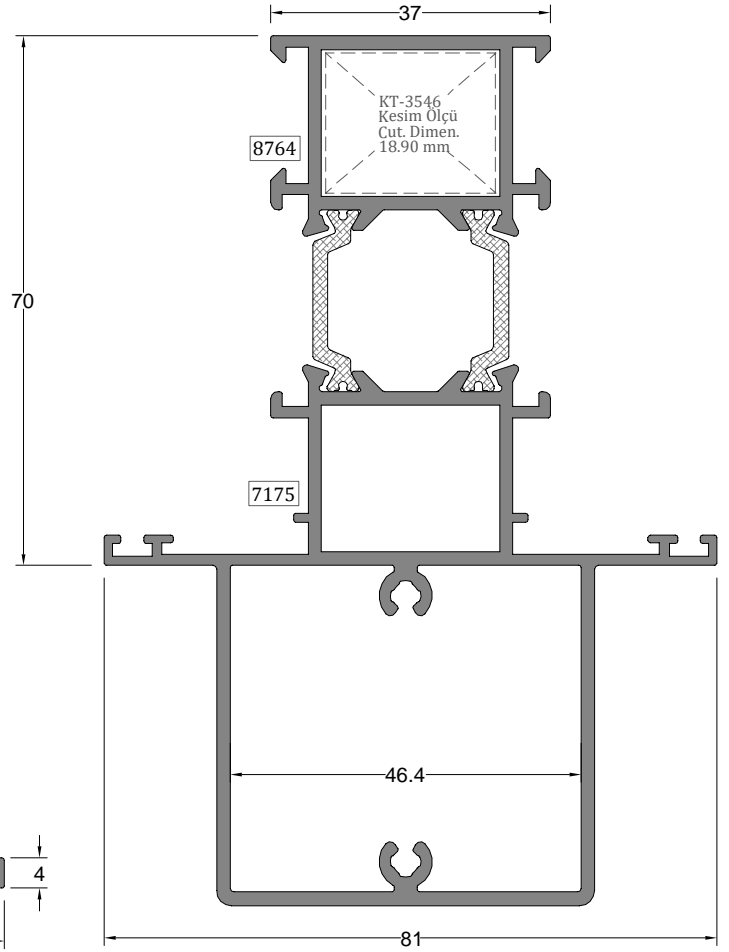
Orta Kayıt Profili MULLION PROFILE	Profil Kodu Profile Code	(kg/mt) Weight	Jx cm ⁴	Jy cm ⁴
	70-8764-8763	1,680	35,74	15,72



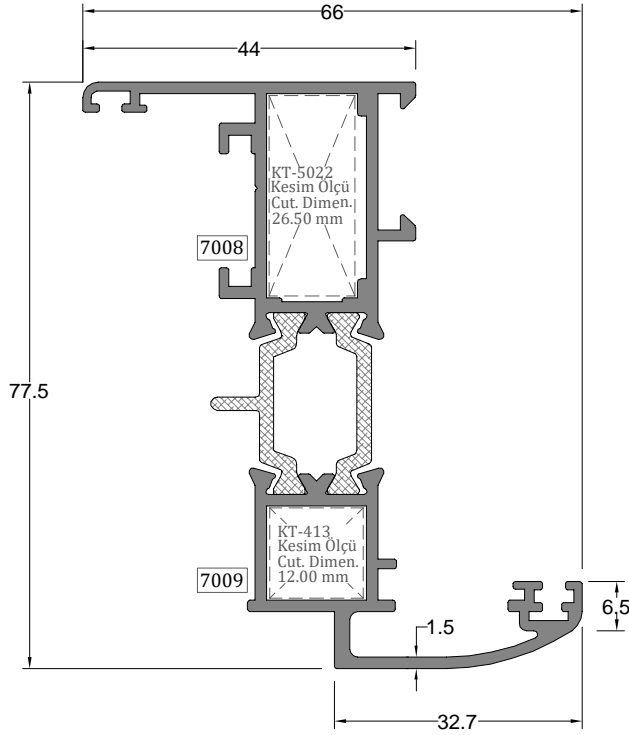
Orta Kayıt Profili MULLION PROFILE	Profil Kodu Profile Code	(kg/mt) Weight	Jx cm ⁴	Jy cm ⁴
	70-7045-7044	1,633	35,00	19,88



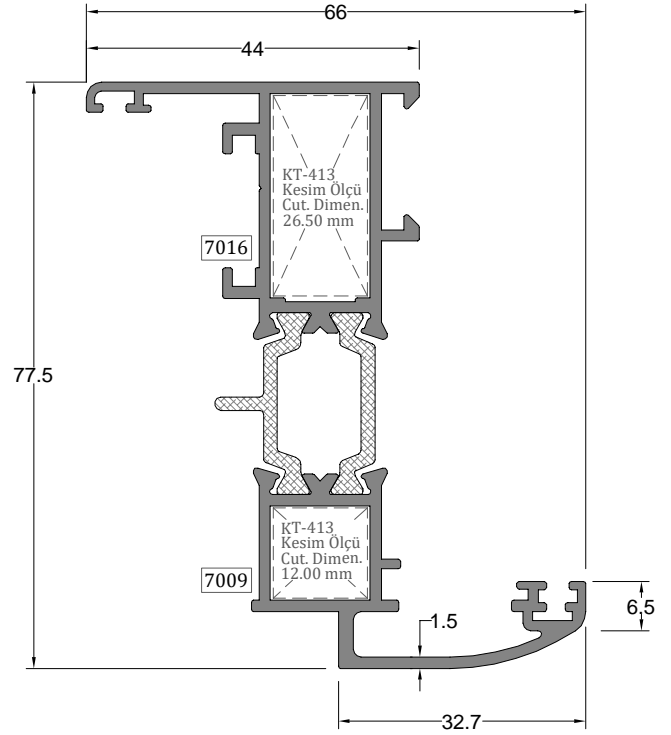
Orta Kayıt Profili MULLION PROFILE	Profil Kodu Profile Code	(kg/mt) Weight	Jx cm ⁴	Jy cm ⁴
	70-7057 - 7056	2,011	44,14	33,35



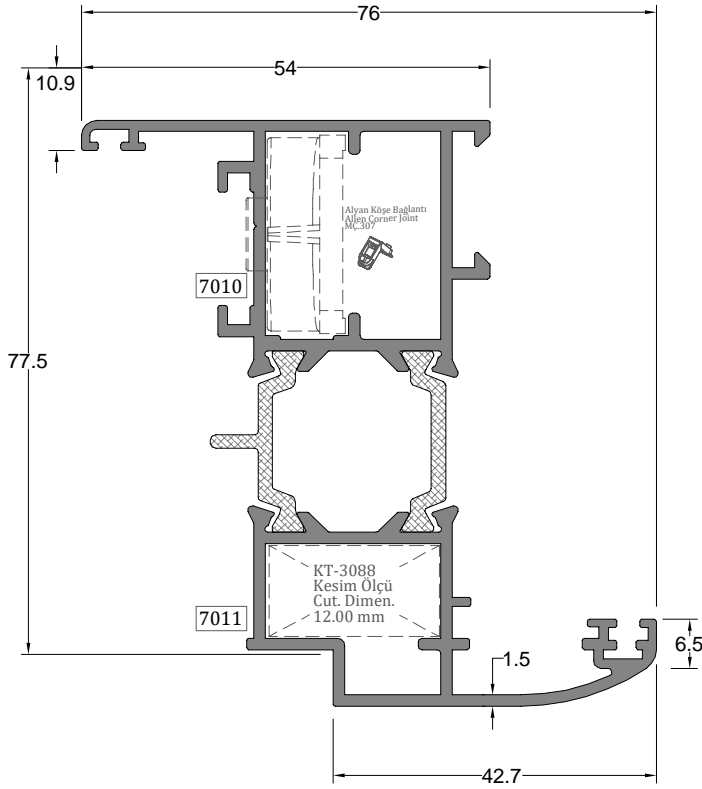
Takviyeli Orta Kayıt Profili REINFORCED MULLION PROFILE	Profil Kodu Profile Code	(kg/mt) Weight	Jx cm ⁴	Jy cm ⁴
	70-8764-7175	2,466	114,88	26,56



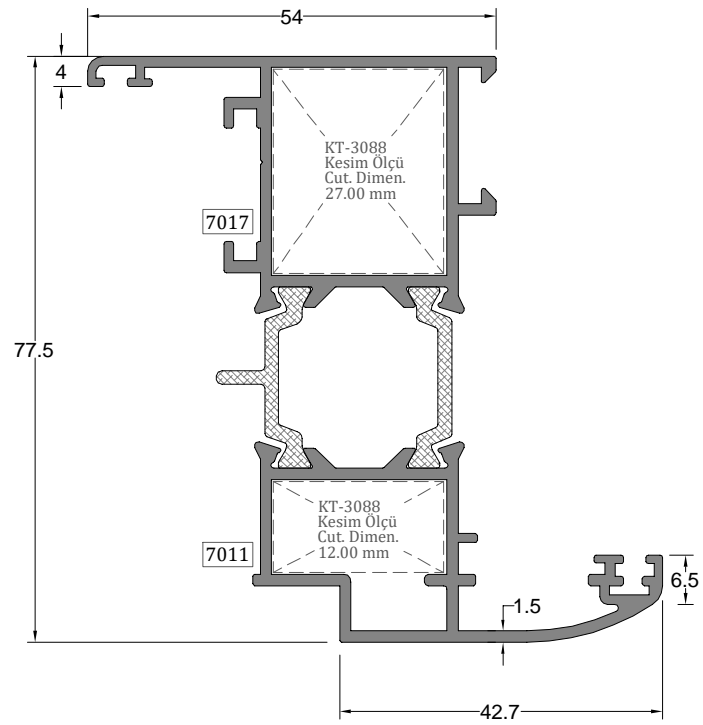
Kanat Profili SASH PROFILE	Profil Kodu Profile Code	(kg/mt) Weight	Jx cm ⁴	Jy cm ⁴
	70-7008-7009	1,451	36,51	8,85



Kanat Profili SASH PROFILE	Profil Kodu Profile Code	(kg/mt) Weight	Jx cm ⁴	Jy cm ⁴
	70-7016-7009	1,432	36,00	8,84

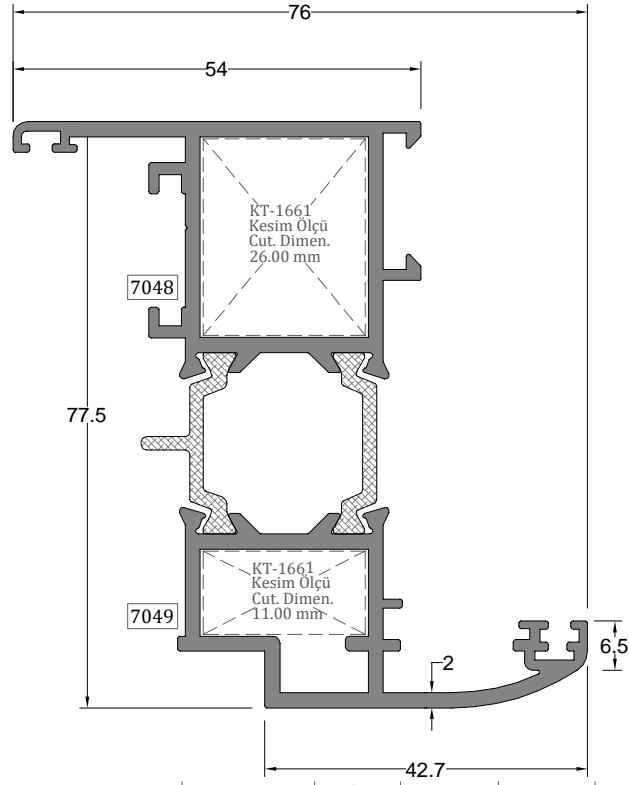


Kanat Profili SASH PROFILE	Profil Kodu Profile Code	(kg/mt) Weight	Jx cm ⁴	Jy cm ⁴
	70-7010-7011	1,650	42,25	15,91

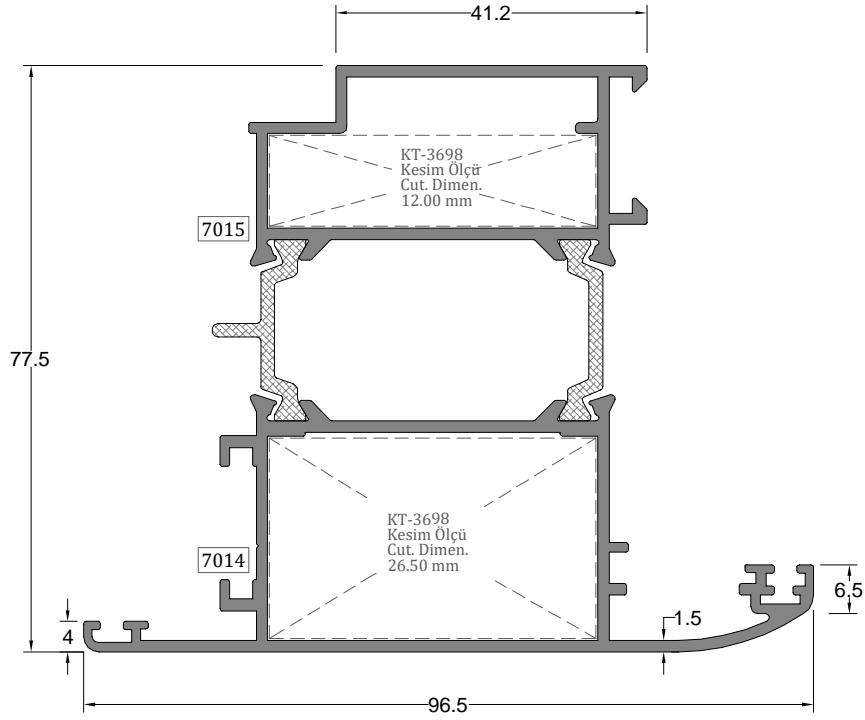


Kanat Profili SASH PROFILE	Profil Kodu Profile Code	(kg/mt) Weight	Jx cm ⁴	Jy cm ⁴
	70-7017-7011	1,622	41,55	15,89

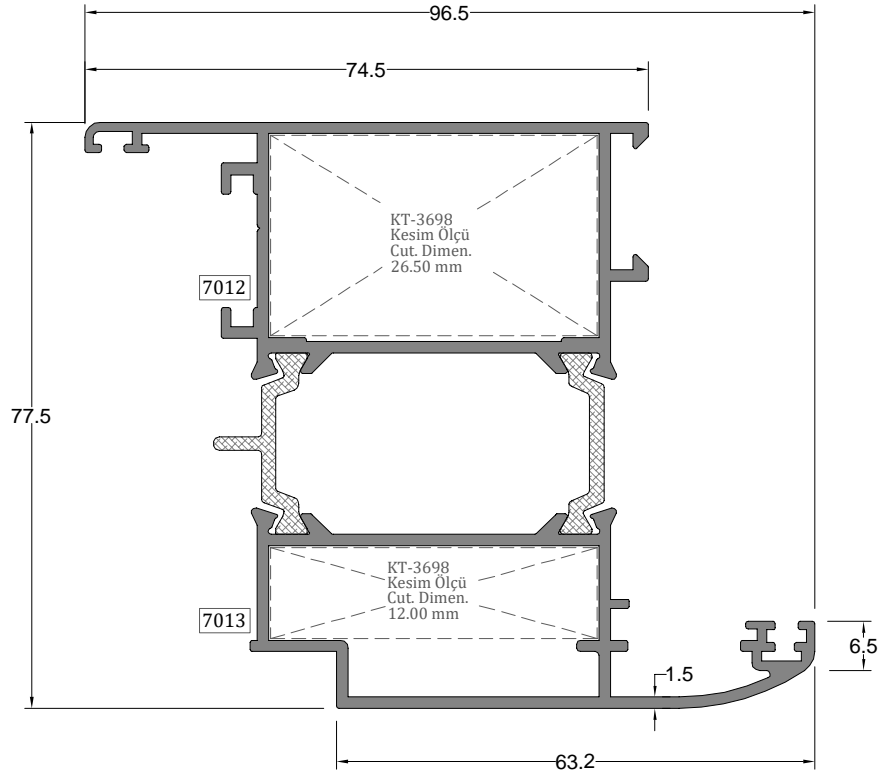
** Her profil için minimum sipari 300 kg'dır.
** Minimum order quantity is 300 kg per profile.



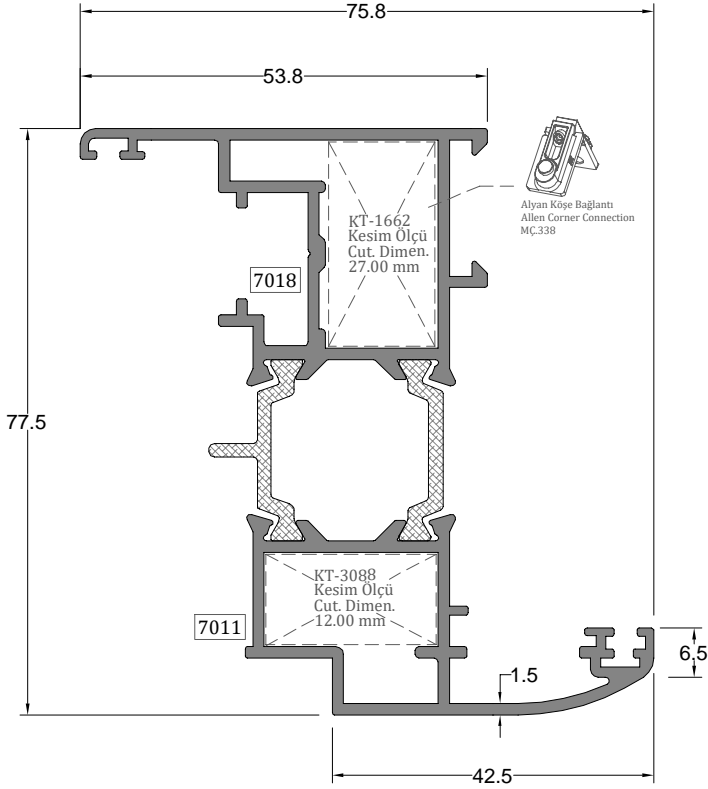
Kanat Profili SASH PROFILE	Profil Kodu Profile Code	(kg/mt) Weight	Jx cm ⁴	Jy cm ⁴
	70-7048-7049	1,928	50,68	17,65



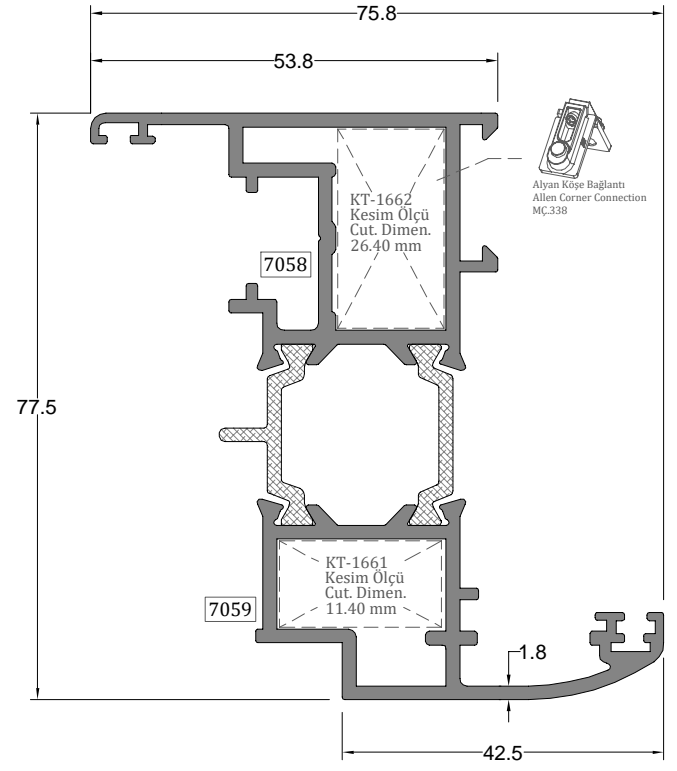
Dışarı Açılır Kanat Profili OUTWARD OPENING SASH PROFILE	Profil Kodu Profile Code	(kg/mt) Weight	Jx cm ⁴	Jy cm ⁴
	70-7015-7014	1,970	50,37	41,06



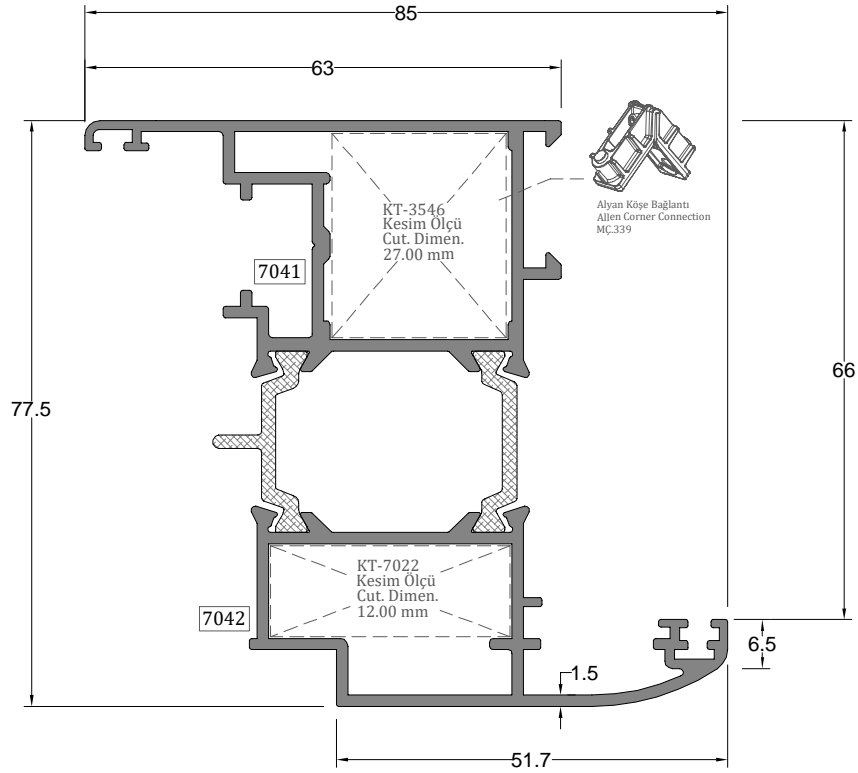
Kanat Profili SASH PROFILE	Profil Kodu Profile Code	(kg/mt) Weight	Jx cm ⁴	Jy cm ⁴
	70-7012-7013	1,970	55,51	41,06



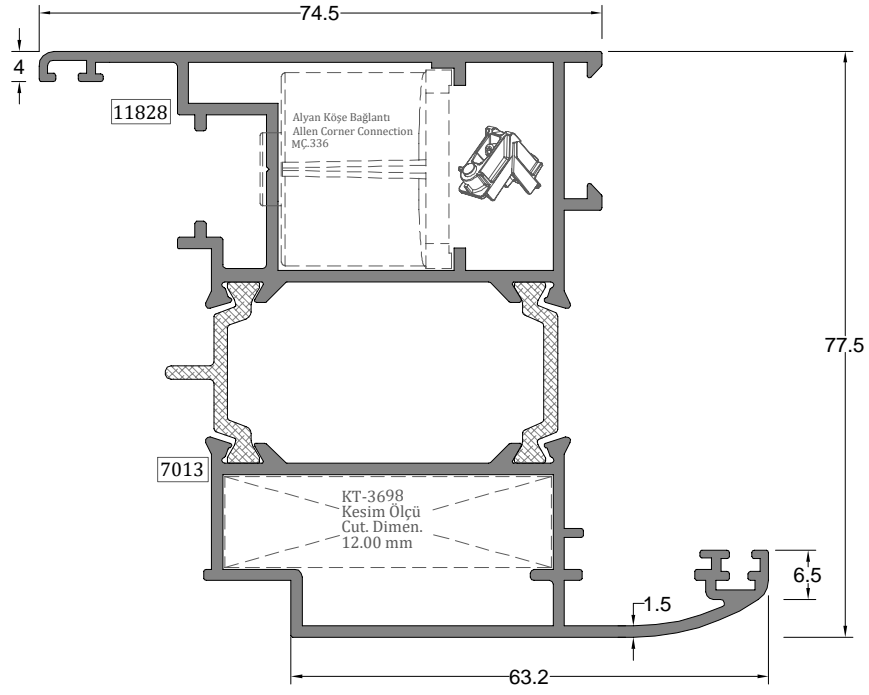
Pvc Kanallı Kanat Profili PVC GROOVE SASH PROFILE	Profil Kodu Profile Code	(kg/mt) Weight	Jx cm ⁴	Jy cm ⁴
	70-7018-7011	1,678	42,72	15,46



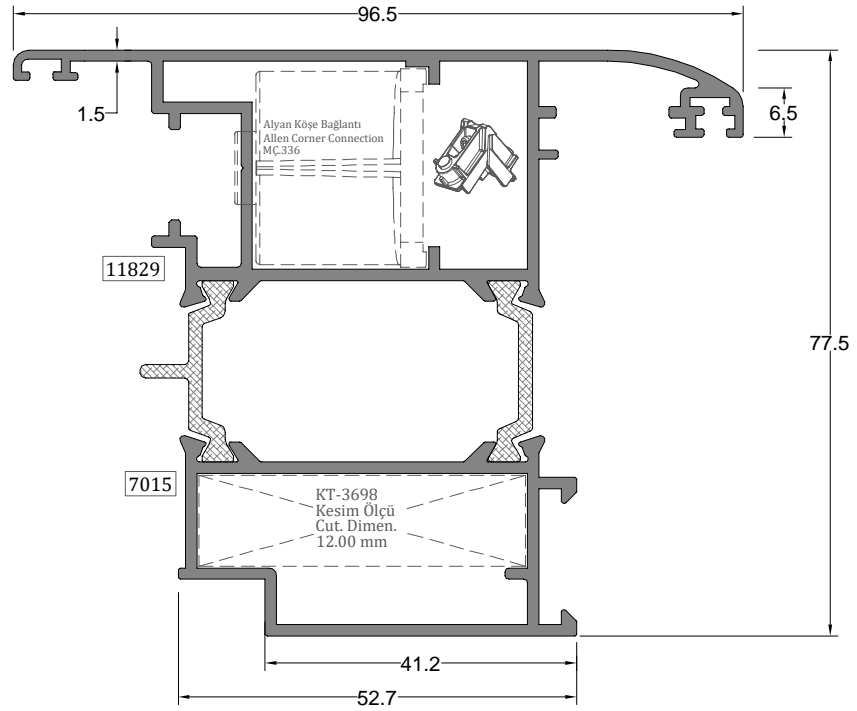
Pvc Kanallı Kanat Profili PVC GROOVE SASH PROFILE	Profil Kodu Profile Code	(kg/mt) Weight	Jx cm ⁴	Jy cm ⁴
	70-7058-7059	1,860	48,37	16,54



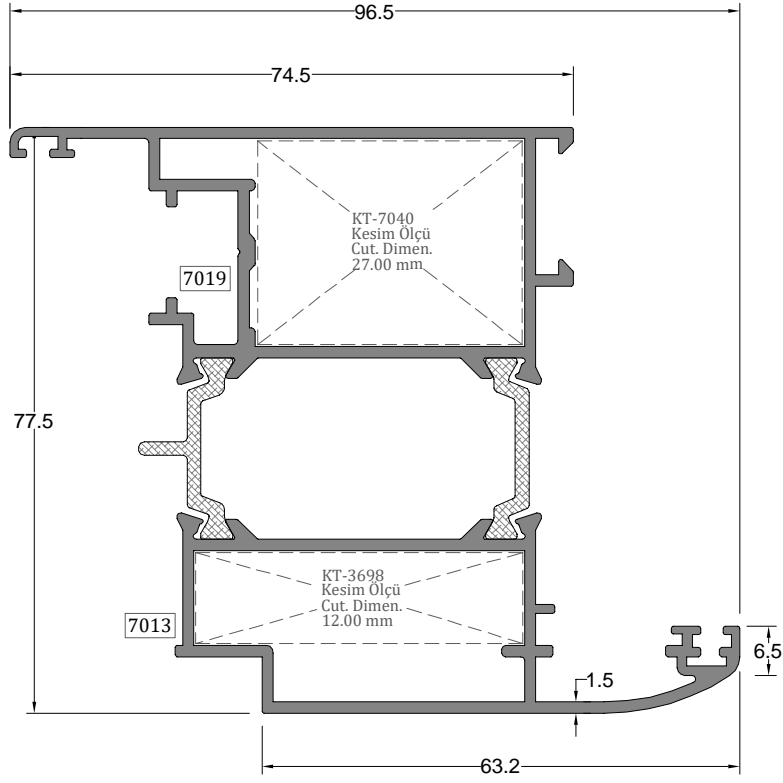
Pvc Kanallı Kanat Profili PVC GROOVE SASH PROFILE	Profil Kodu Profile Code	(kg/mt) Weight	Jx cm ⁴	Jy cm ⁴
	70-7041-7042	1,834	40,36	24,82



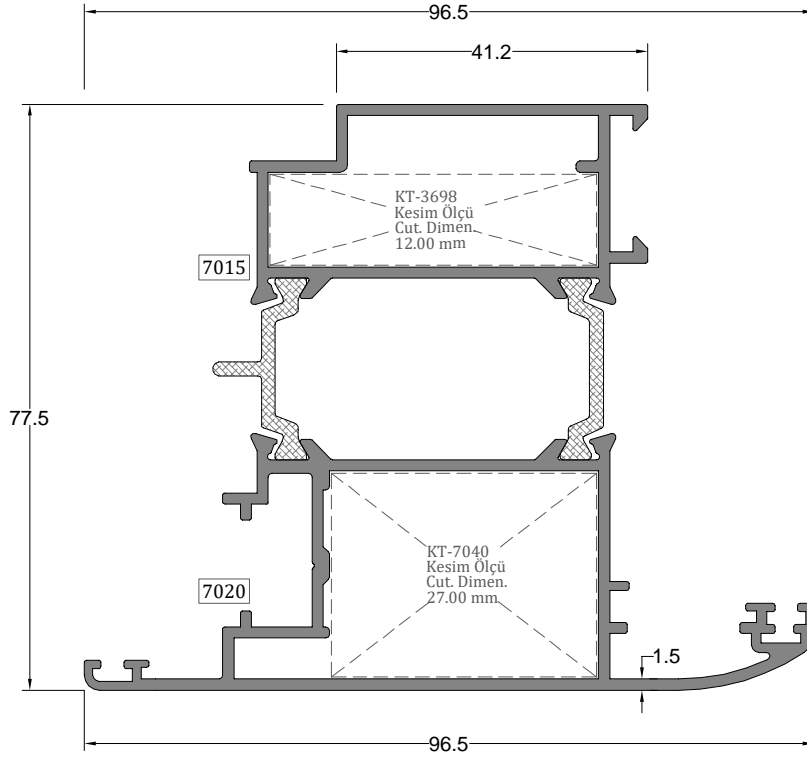
Pvc Kanallı Kanat Profili PVC GROOVE SASH PROFILE	Profil Kodu Profile Code	(kg/mt) Weight	Jx cm ⁴	Jy cm ⁴
	70-11828-7013	2,008	53,41	40,77



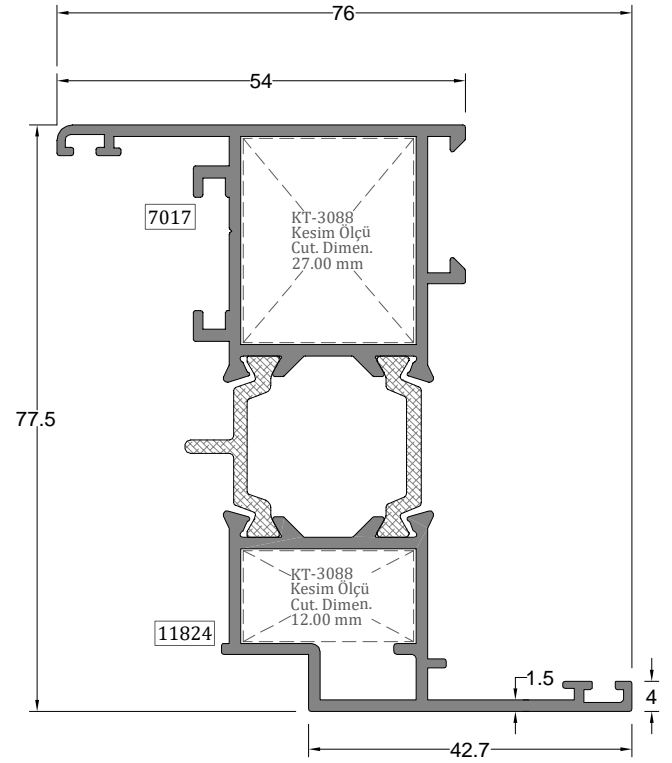
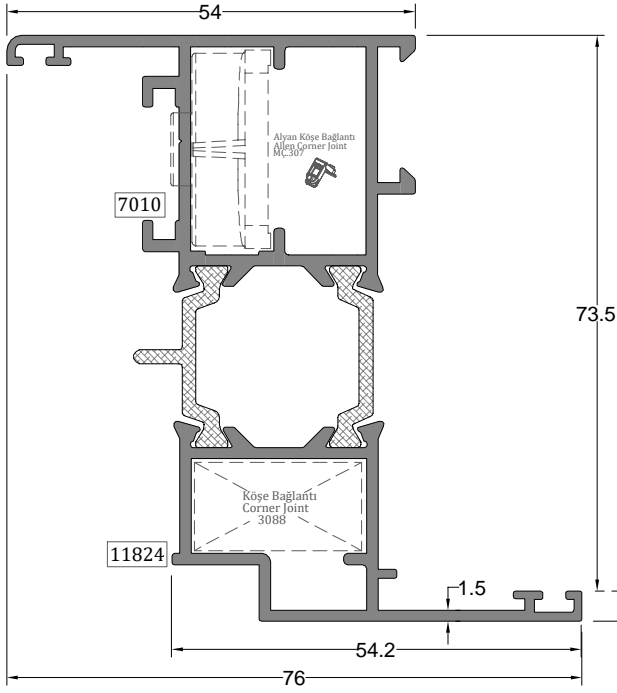
Pvc Kanallı Kanat Profili PVC GROOVE SASH PROFILE	Profil Kodu Profile Code	(kg/mt) Weight	Jx cm ⁴	Jy cm ⁴
	70-11829-7015	2,007	51,66	40,77



Pvc Kanallı Kanat Profili PVC GROOVE SASH PROFILE	Profil Kodu Profile Code	(kg/mt) Weight	Jx cm ⁴	Jy cm ⁴
	70-7019-7013	2,015	52,77	40,78

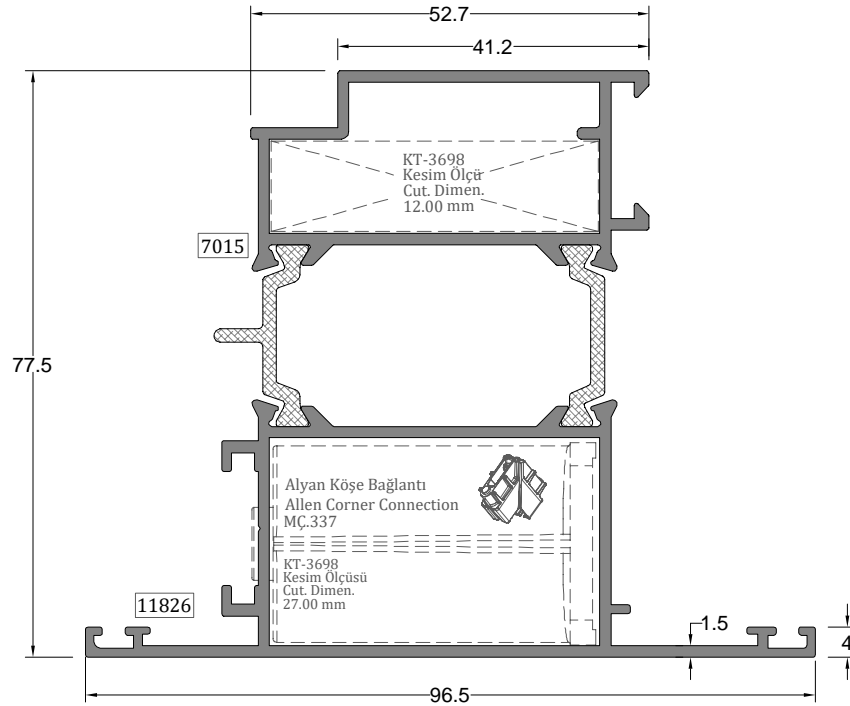


Pvc Kanallı Kanat Profili PVC GROOVE SASH PROFILE	Profil Kodu Profile Code	(kg/mt) Weight	Jx cm ⁴	Jy cm ⁴
	70-7015-7020	2,015	51,17	40,78



Kanat Profili SASH PROFILE	Profil Kodu Profile Code	(kg/mt) Weight	Jx cm ⁴	Jy cm ⁴
	70-7010-11824	1,570	40,50	13,24

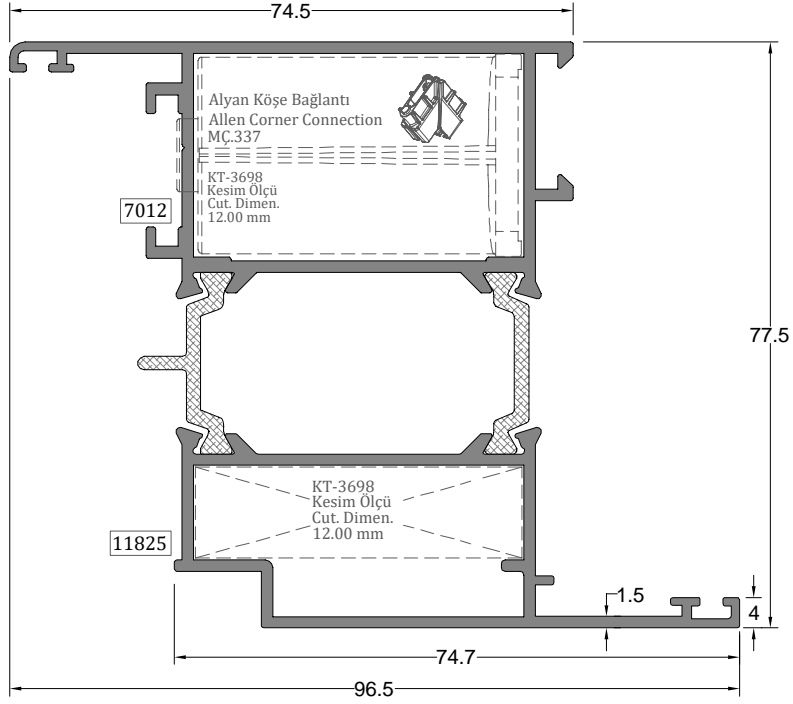
Kanat Profili SASH PROFILE	Profil Kodu Profile Code	(kg/mt) Weight	Jx cm ⁴	Jy cm ⁴
	70-7017-11824	1,537	41,55	15,89



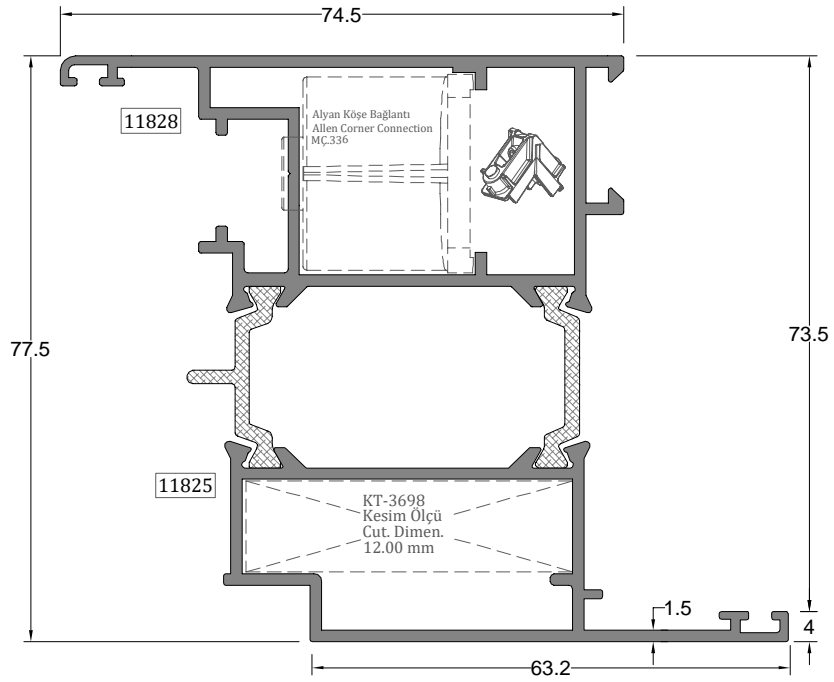
Kanat Profili SASH PROFILE	Profil Kodu Profile Code	(kg/mt) Weight	Jx cm ⁴	Jy cm ⁴
	70-7015-11826	1,860	49,05	36,17

★ Dı tan Görünü Hemyüz Sistem
Uniform Look From Outside

** Her profil için minimum sipari 300 kg'dır.
** Minimum order quantity is 300 kg per profile.

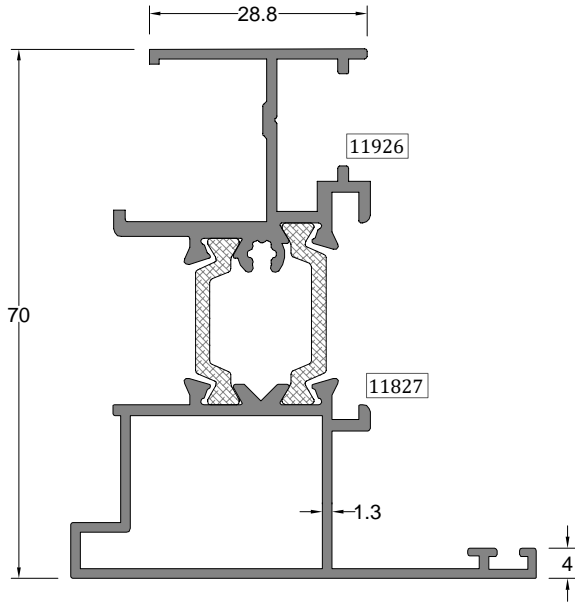


Kanat Profili SASH PROFILE	Profil Kodu Profile Code	(kg/mt) Weight	Jx cm ⁴	Jy cm ⁴
	70-7012-11825	1,880	53,41	40,77

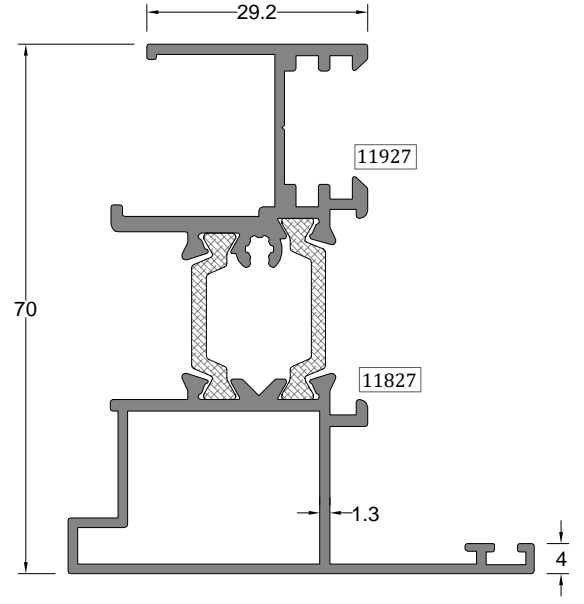


Kanat Profili SASH PROFILE	Profil Kodu Profile Code	(kg/mt) Weight	Jx cm ⁴	Jy cm ⁴
	70-11828-11825	1,930	51,62	36,06

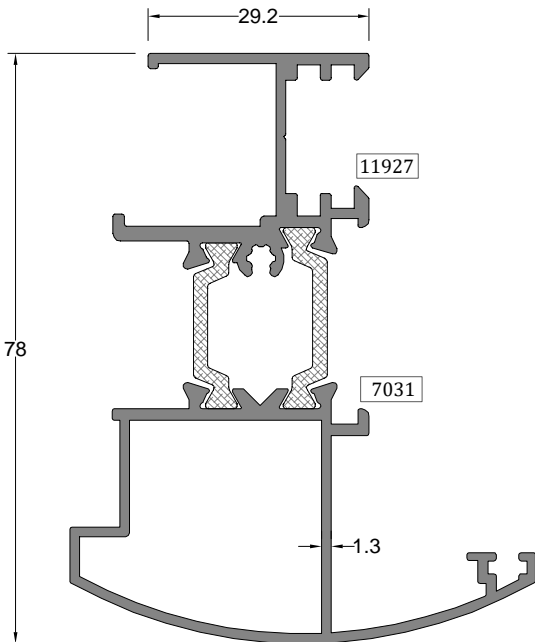
★ Dı tan Görünü Hemyüz Sistem
Uniform Look From Outside



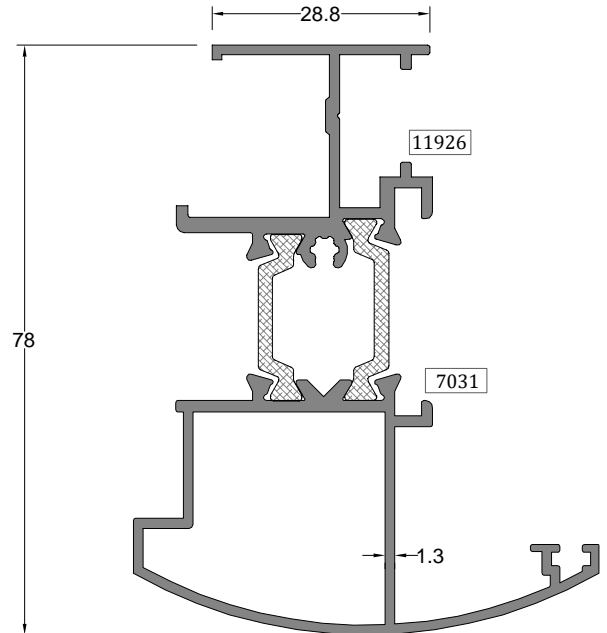
Adaptör Profili ADAPTER PROFILE	Profil Kodu Profile Code	(kg/mt) Weight
	70-11926-11827	1,279



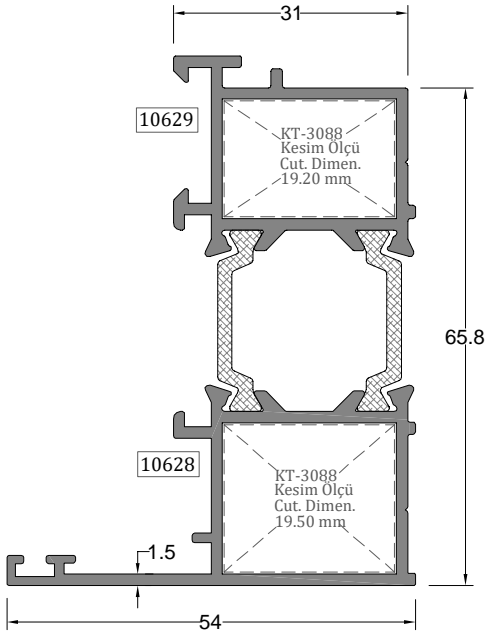
Adaptör Profili ADAPTER PROFILE	Profil Kodu Profile Code	(kg/mt) Weight
	70-11927-11827	1,289



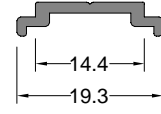
Adaptör Profili ADAPTER PROFILE	Profil Kodu Profile Code	(kg/mt) Weight
	70-11927-7031	1,349



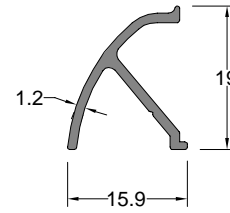
Adaptör Profili ADAPTER PROFILE	Profil Kodu Profile Code	(kg/mt) Weight
	70-11926-7031	1,340



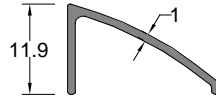
Dışarı Açılır Adaptör Profili OUTWARD OPENING ADAPTER PROFILE	Profil Kodu Profile Code	(kg/mt) Weight
	70-10629-10628	1,304



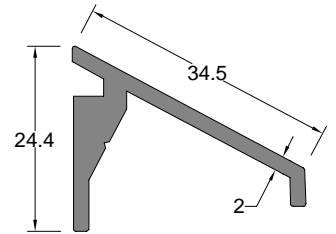
Tij Profili STEM BAR PROFILE	Profil Kodu Profile Code	(kg/mt) Weight
	8241	0.099



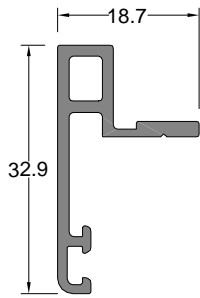
Damlalık Profili DROPPER PROFILE	Profil Kodu Profile Code	(kg/mt) Weight
	7021	0.140



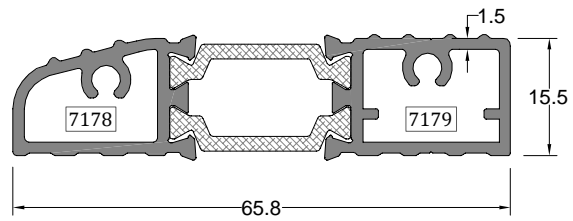
Damlalık Profili DROPPER PROFILE	Profil Kodu Profile Code	(kg/mt) Weight
	4242	0.094



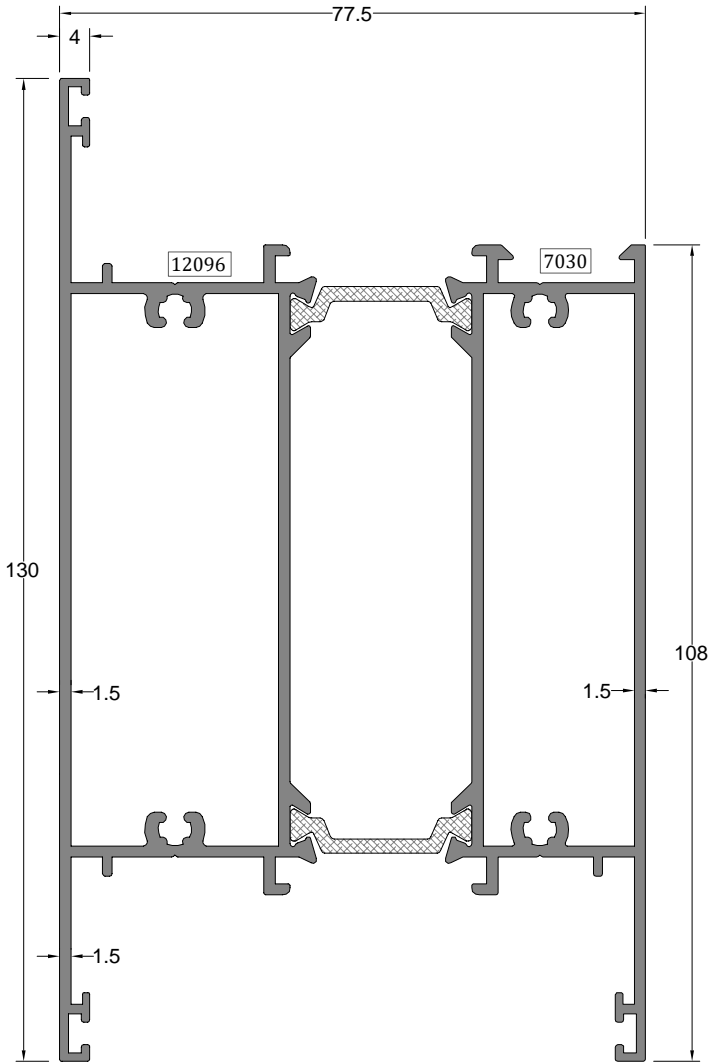
Damlalık Profili DROPPER PROFILE	Profil Kodu Profile Code	(kg/mt) Weight
	1011	0.402



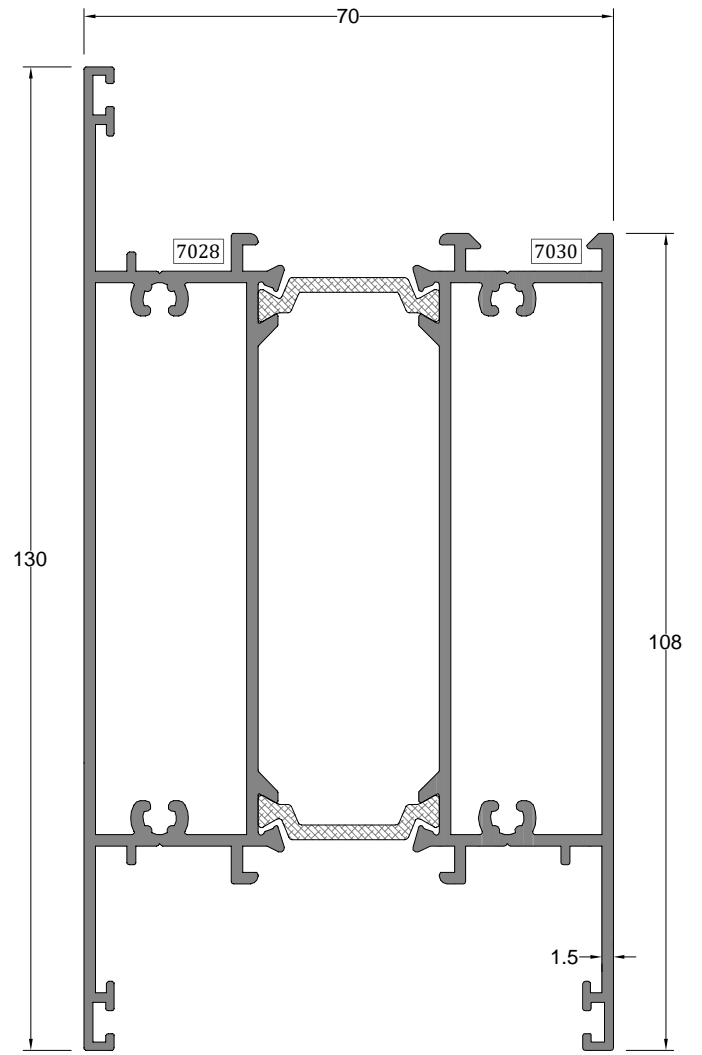
Kanat Kapama Profili	Profil Kodu Profile Code	(kg/mt) Weight
	10923	0.295



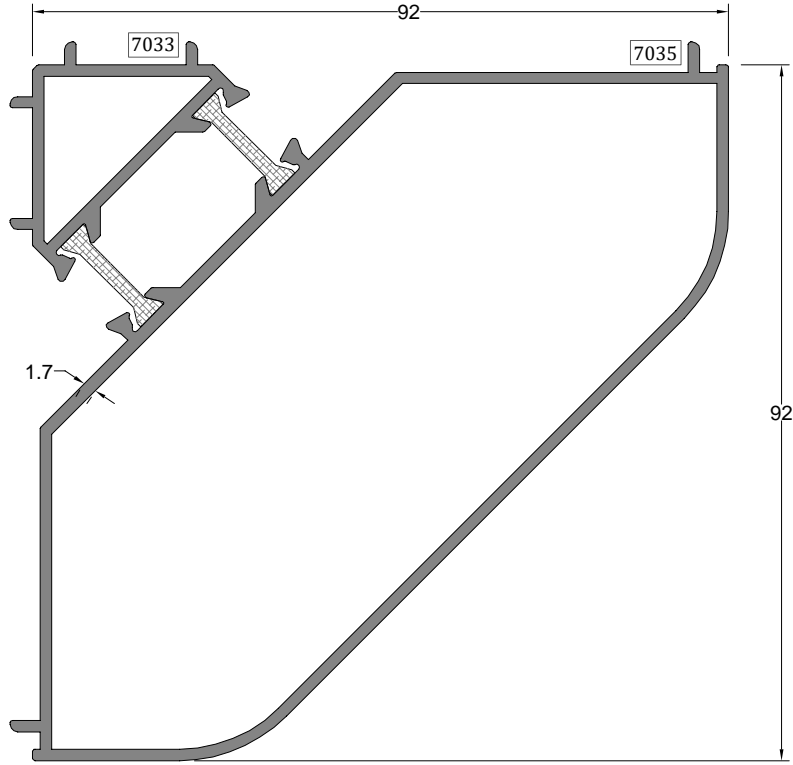
Kapı Altı Eşik Profili DOOR THRESHOLD PROFILE	Profil Kodu Profile Code	(kg/mt) Weight
	70-7178-7179	1,019



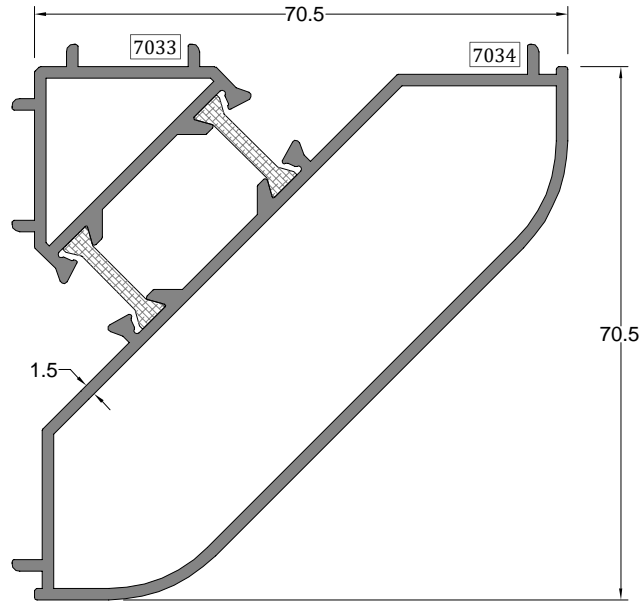
Etek Profili	Profil Kodu	(kg/mt)
BOTTOM PROFILE	Profile Code	Weight
	70-12096-7030	2,697



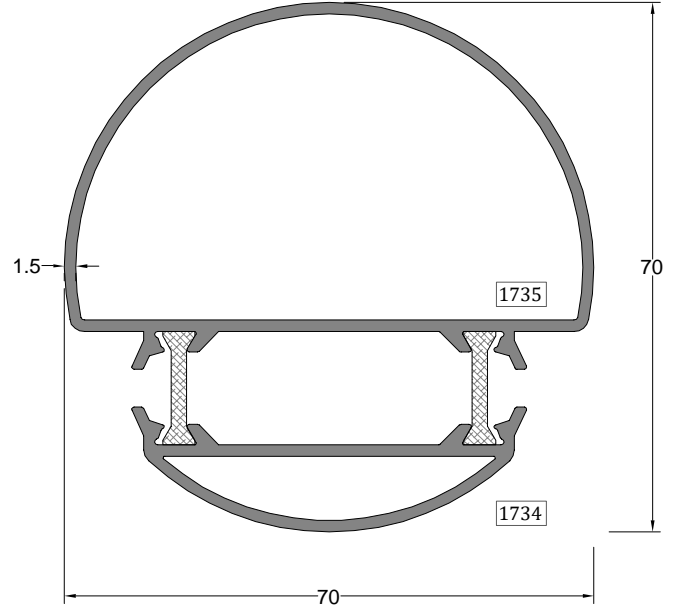
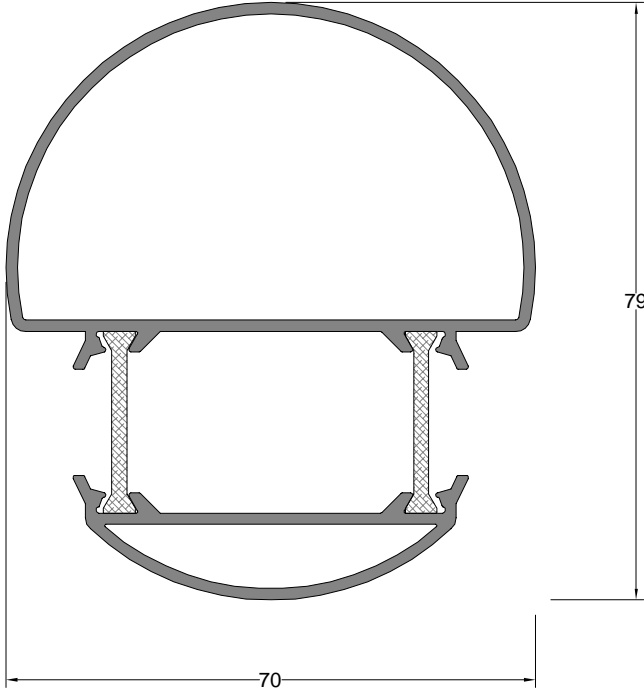
Etek Profili	Profil Kodu	(kg/mt)
BOTTOM PROFILE	Profile Code	Weight
	70-7030-7028	2,647



Kö e Dönü Profili CORNER PROFILE	Profil Kodu Profile Code	(kg/mt) Weight	Jx cm ⁴	Jy cm ⁴
	70-7033-7035	1,894	62,35	62,35

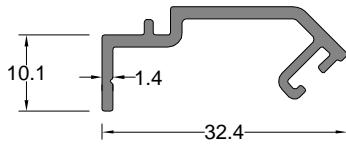


Kö e Dönü Profili CORNER PROFILE	Profil Kodu Profile Code	(kg/mt) Weight	Jx cm ⁴	Jy cm ⁴
	70-7033-7034	1,531	26,72	26,72

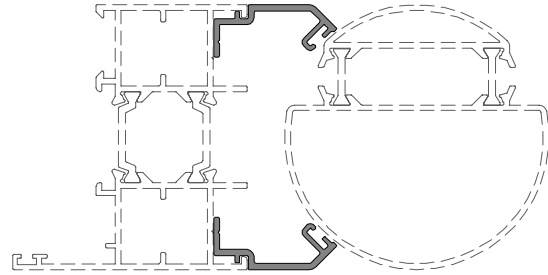


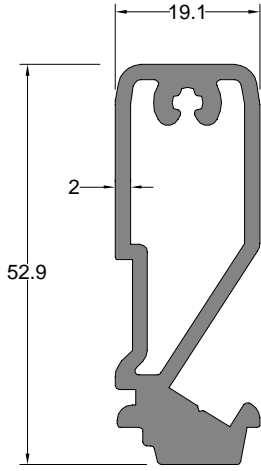
Kö e Dönü Profili CORNER PROFILE	Profil Kodu Profile Code	(kg/mt) Weight	Jx cm ⁴	Jy cm ⁴
	70-1734-1735	1,481	32,51	26,21

Kö e Dönü Profili CORNER PROFILE	Profil Kodu Profile Code	(kg/mt) Weight	Jx cm ⁴	Jy cm ⁴
	55-1734-1735	1,465	22,53	21,83



Adaptör Profili ADAPTER PROFILE	Profil Kodu Profile Code	(kg/mt) Weight
	7180	0,244

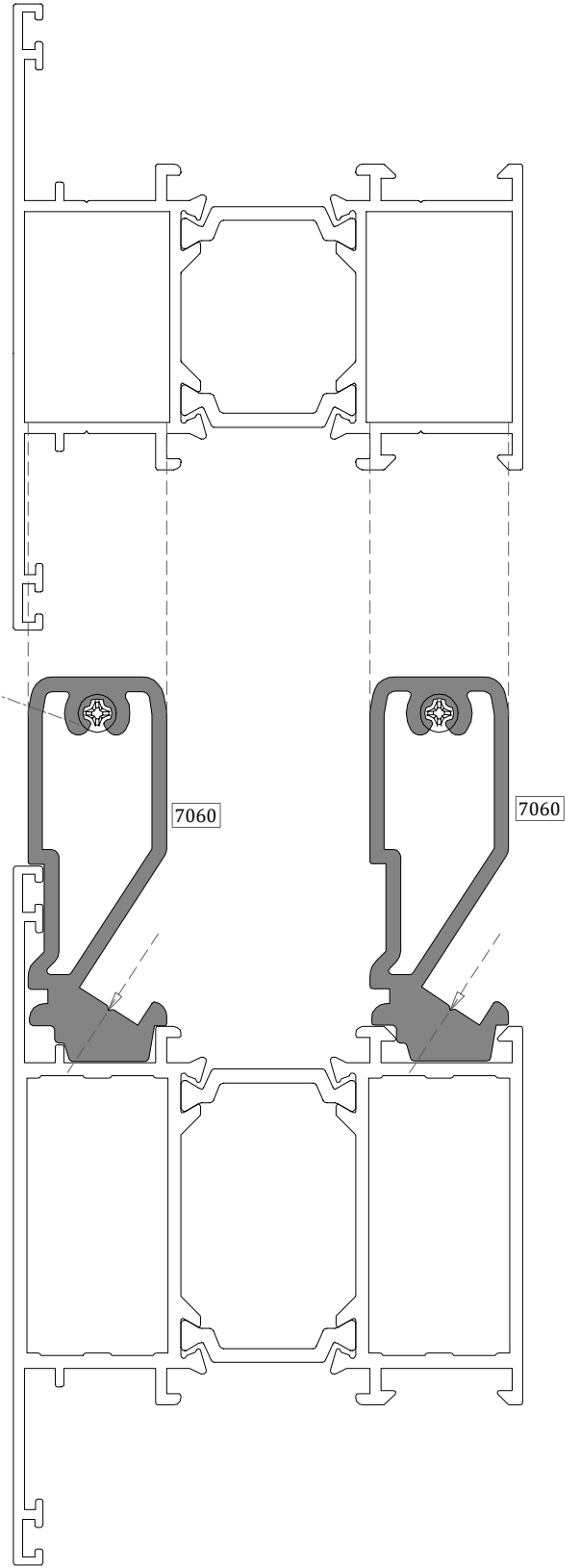




Orta Kayıt Ba lantı Profili
MULLION CONNECTION PROFILE

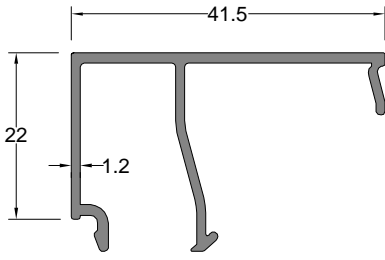
Profil Kodu Profile Code	(kg/mt) Weight
7060	1.007

M3.8x19 (YHB)

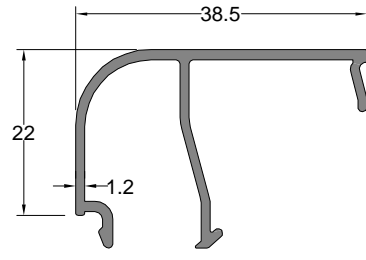


Dik Ba lantı Kodu	Kullanıldı ı Profil	Kesim ölçüsü	Adet Kesim Kodu
7060	8764,8763,7175	23 mm	7060 - 23
	7047,7045,7044	28,5 mm	7060 - 28,5
	7057,7056	37,3 mm	7060 - 37,3

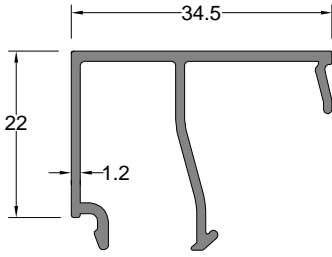
** Her profil için minimum sipari 300 kg'dır.
** Minimum order quantity is 300 kg per profile.



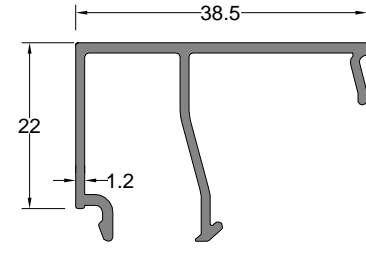
Çıta Profili BEAD PROFILE	Profil Kodu Profile Code	(kg/mt) Weight
	3537	0.367



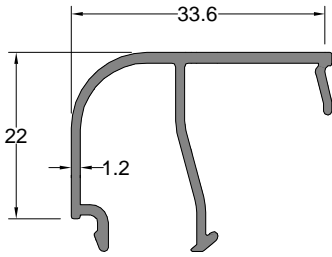
Çıta Profili BEAD PROFILE	Profil Kodu Profile Code	(kg/mt) weight
	1750	0.342



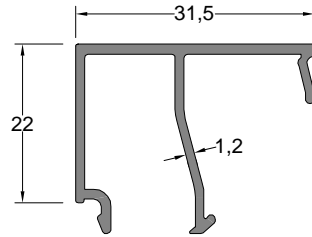
Çıta Profili BEAD PROFILE	Profil Kodu Profile Code	(kg/mt) weight
	1747	0.340



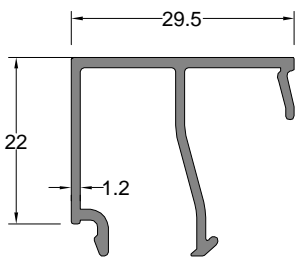
Çıta Profili BEAD PROFILE	Profil Kodu Profile Code	(kg/mt) weight
	1749	0.356



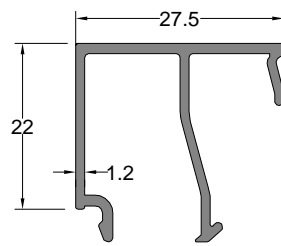
Çıta Profili BEAD PROFILE	Profil Kodu Profile Code	(kg/mt) weight
	1748	0.327



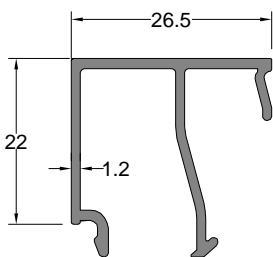
Cam Çıtası GLAZING BEAD	Profil Kodu Profile Code	(kg/mt) Weight
	3536	0,329



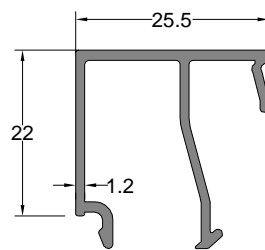
Çıta Profili BEAD PROFILE	Profil Kodu Profile Code	(kg/mt) weight
	3636	0.321



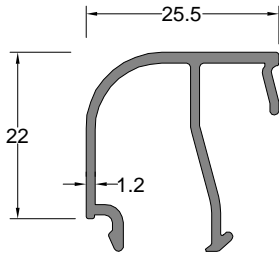
Çıta Profili BEAD PROFILE	Profil Kodu Profile Code	(kg/mt) weight
	1966	0.314



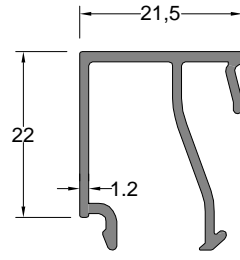
Çıta Profili BEAD PROFILE	Profil Kodu Profile Code	(kg/mt) weight
	2236	0.310



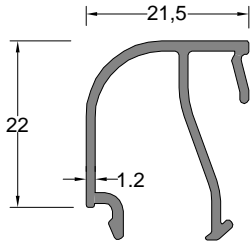
Çıta Profili BEAD PROFILE	Profil Kodu Profile Code	(kg/mt) weight
	1949	0.306



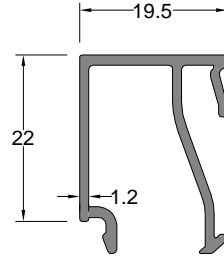
Çıta Profili BEAD PROFILE	Profil Kodu Profile Code	(kg/mt) weight
	5527	0.293



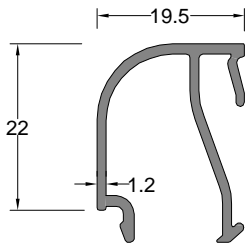
Çıta Profili BEAD PROFILE	Profil Kodu Profile Code	(kg/mt) weight
	1745	0.292



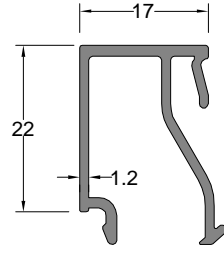
Çıta Profili BEAD PROFILE	Profil Kodu Profile Code	(kg/mt) weight
	1746	0.279



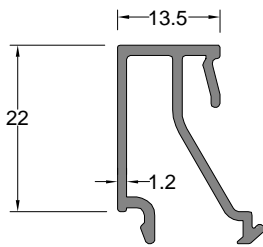
Çıta Profili BEAD PROFILE	Profil Kodu Profile Code	(kg/mt) weight
	1699	0.285



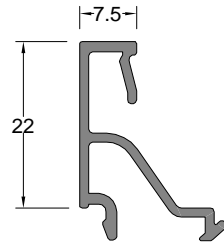
Çıta Profili BEAD PROFILE	Profil Kodu Profile Code	(kg/mt) weight
	5546	0.271



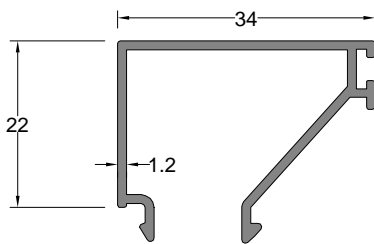
Çıta Profili BEAD PROFILE	Profil Kodu Profile Code	(kg/mt) weight
	3539	0.277



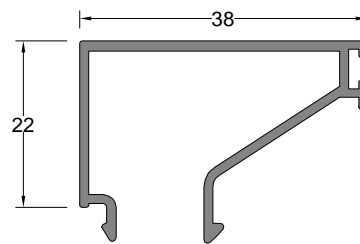
Çıta Profili BEAD PROFILE	Profil Kodu Profile Code	(kg/mt) weight
	1698	0.270



Çıta Profili BEAD PROFILE	Profil Kodu Profile Code	(kg/mt) weight
	1948	0.235



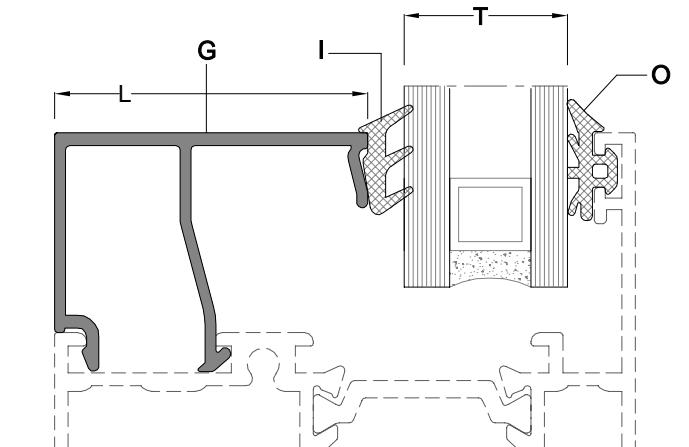
Çıta Profili BEAD PROFILE	Profil Kodu Profile Code	(kg/mt) weight
	676	0,331



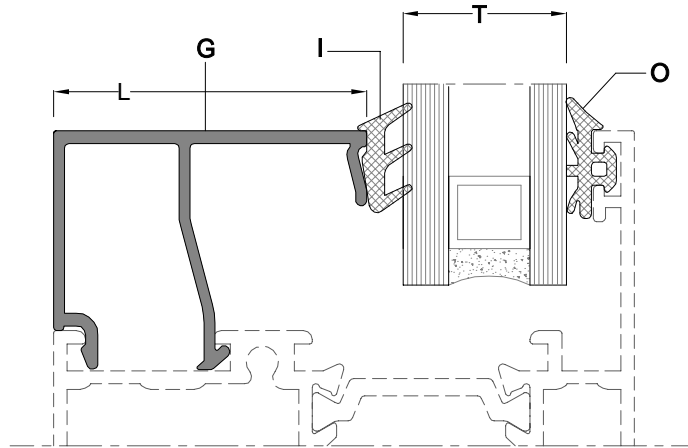
Çıta Profili BEAD PROFILE	Profil Kodu Profile Code	(kg/mt) weight
	7043	0,366

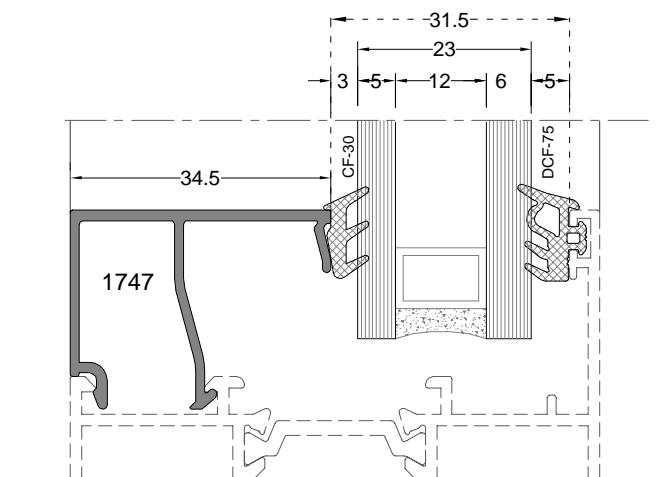
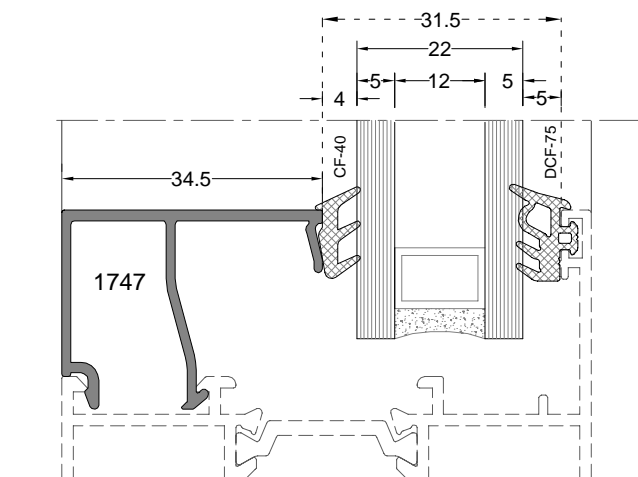
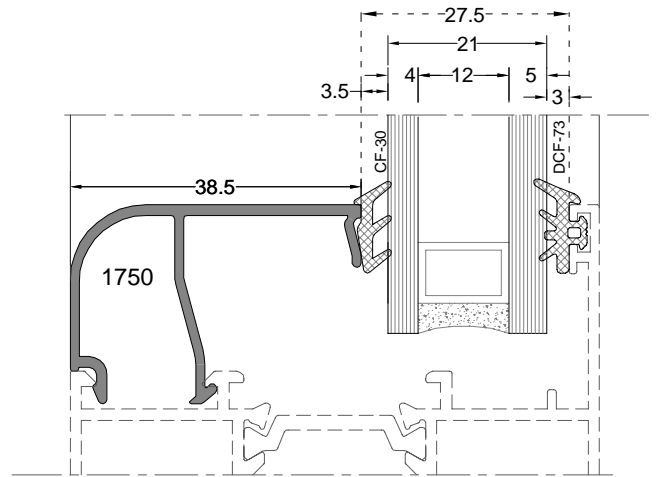
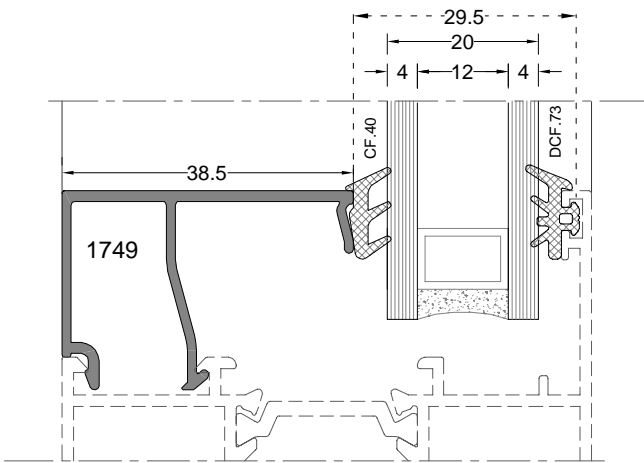
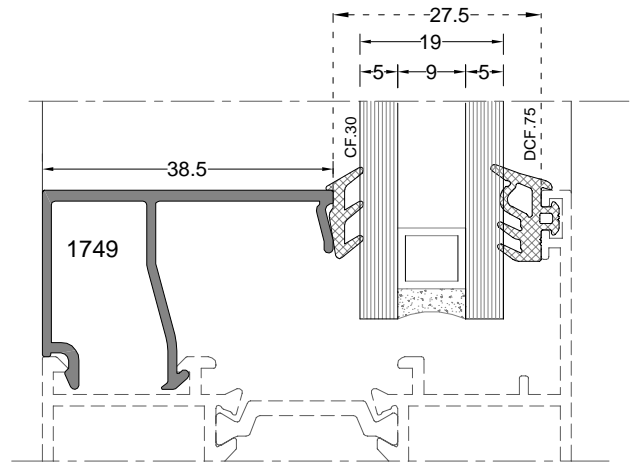
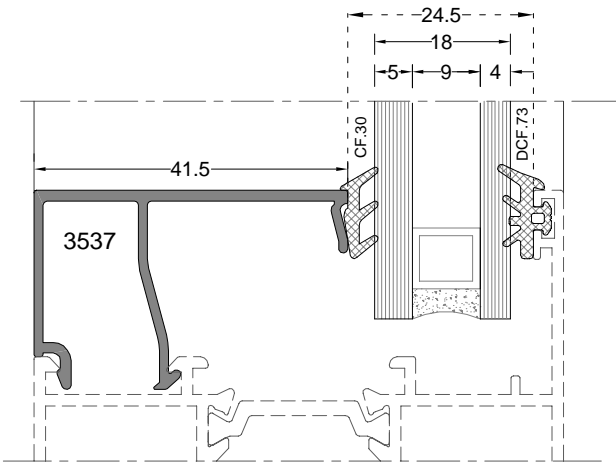
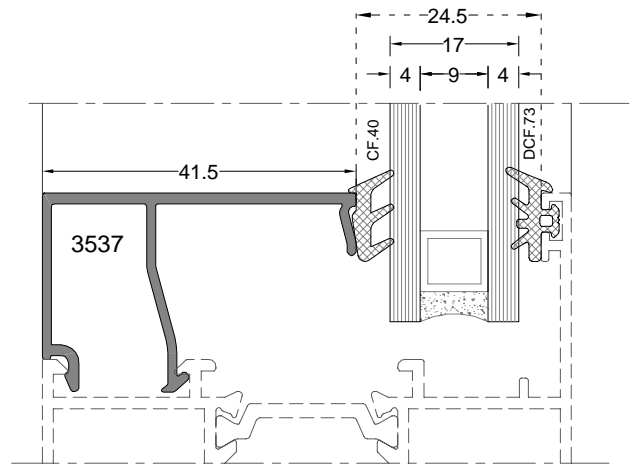
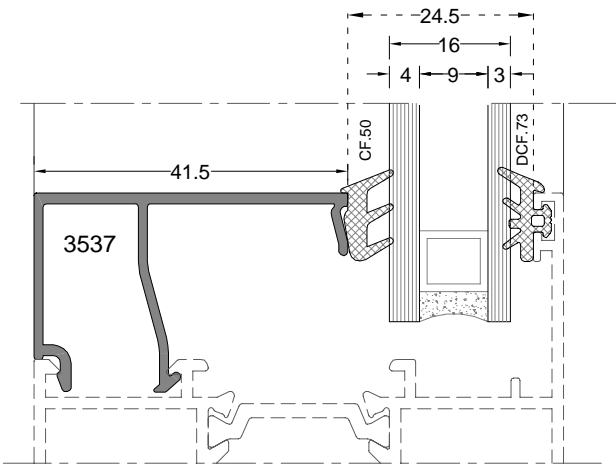
** Her profil için minimum sipari 300 kg'dır.
** Minimum order quantity is 300 kg per profile.

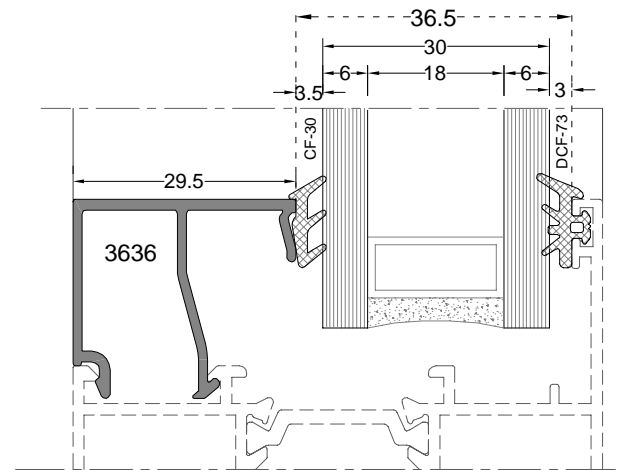
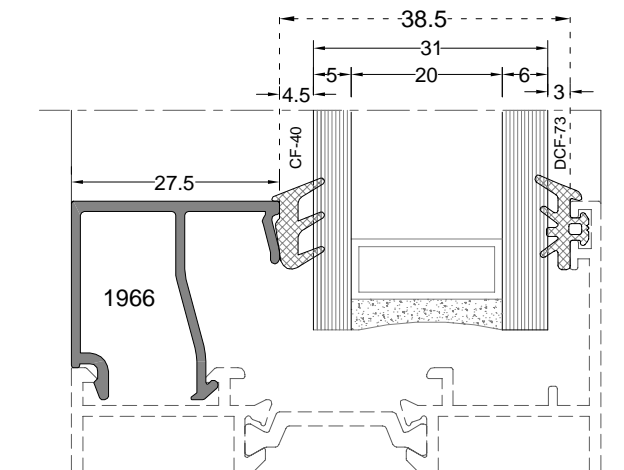
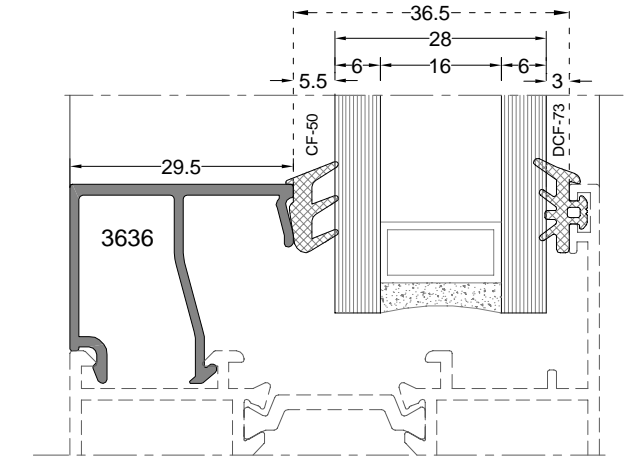
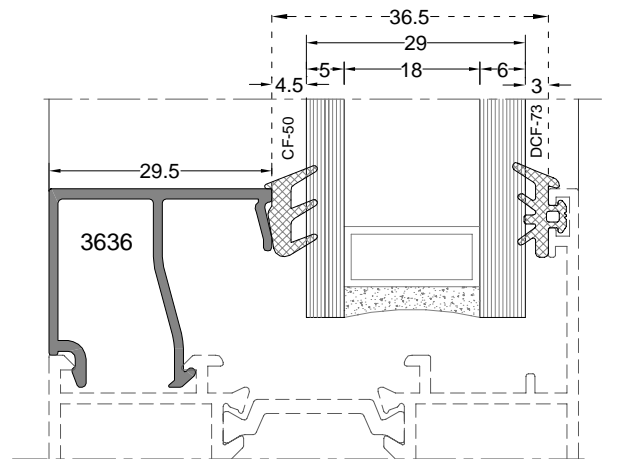
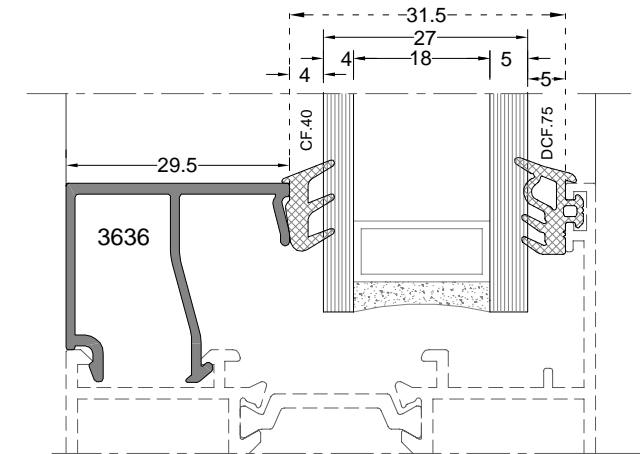
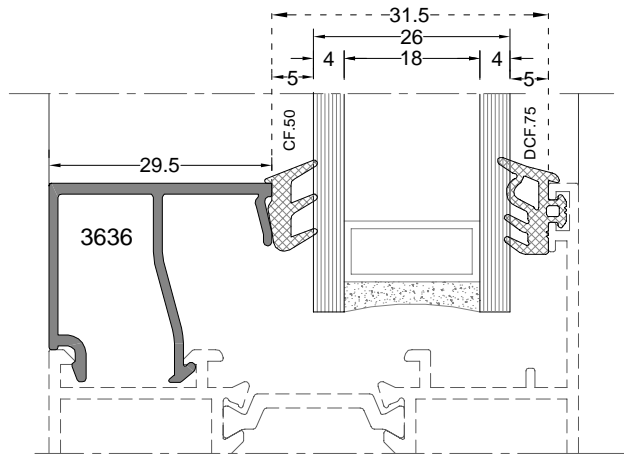
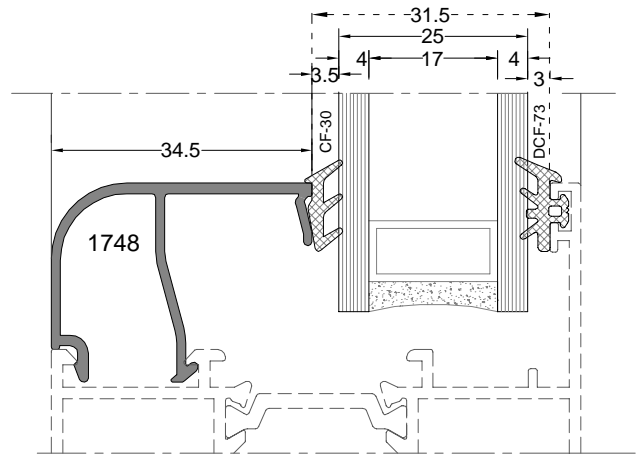
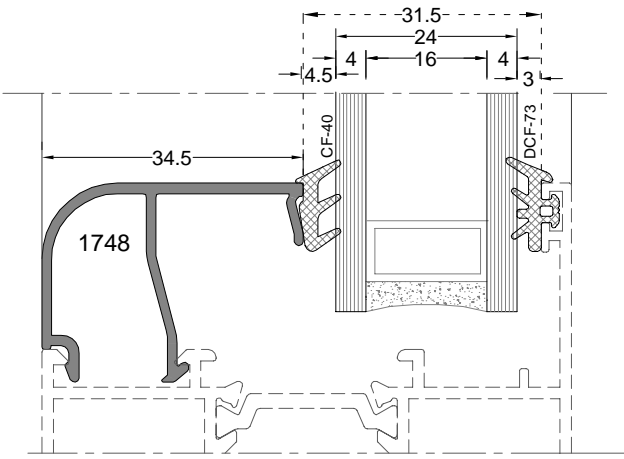
CAM ÇITASI GLAZING BEAD (G)	CAM ÇITASI UZUNLU Ğ GLAZING BEAD LENGTH (L)	Ç CAM F T L GLAZING GASKET(inside) (I)	CAM KALINLI Ğ GLASS THICKNESS (T)	DI CAM F T L GLAZING GASKET(outside) (O)
3537	41,5 mm	CF.50	16 mm	DCF.73
3537	41,5 mm	CF.40	17 mm	DCF.73
3537	41,5 mm	CF.30	18 mm	DCF.73
1749	38,5 mm	CF.30	19 mm	DCF.75
1749	38,5 mm	CF.40	20 mm	DCF.73
1750	38,5 mm	CF.30	21 mm	DCF.73
1747	34,5 mm	CF.40	22 mm	DCF.75
1747	34,5 mm	CF.30	23 mm	DCF.75
1748	34,5 mm	CF.40	24 mm	DCF.73
1748	34,5 mm	CF.30	25 mm	DCF.73
1748	34,5 mm	CF.50	26 mm	DCF.75
3636	29,5 mm	CF.40	27 mm	DCF.75
3636	29,5 mm	CF.50	28 mm	DCF.73
3636	29,5 mm	CF.50	29 mm	DCF.73
3636	29,5 mm	CF.30	30 mm	DCF.73
1966	27,5 mm	CF.40	31 mm	DCF.73
2236	26,5 mm	CF.40	32 mm	DCF.73
1949	25,5 mm	CF.40	33 mm	DCF.73
1949	25,5 mm	CF.30	34 mm	DCF.73
1745	21,5 mm	CF.40	35 mm	DCF.75

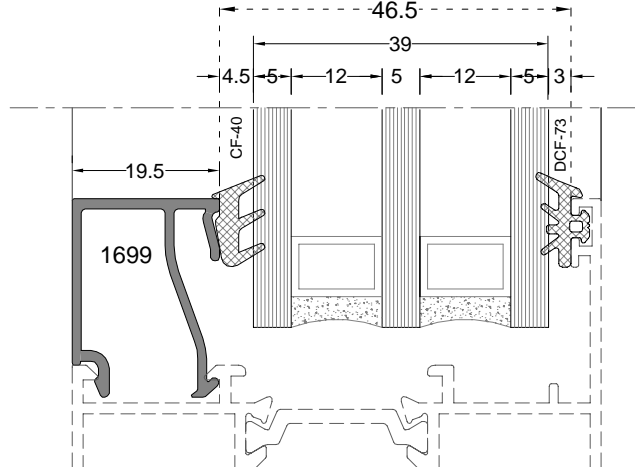
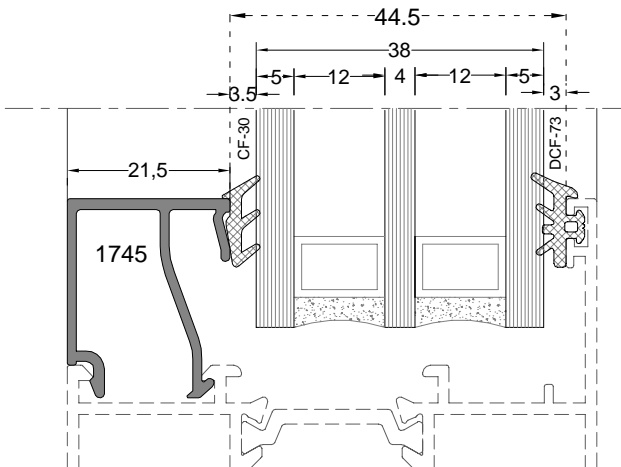
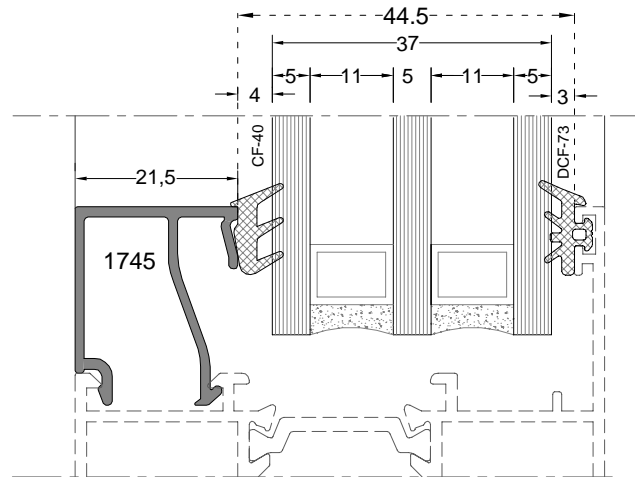
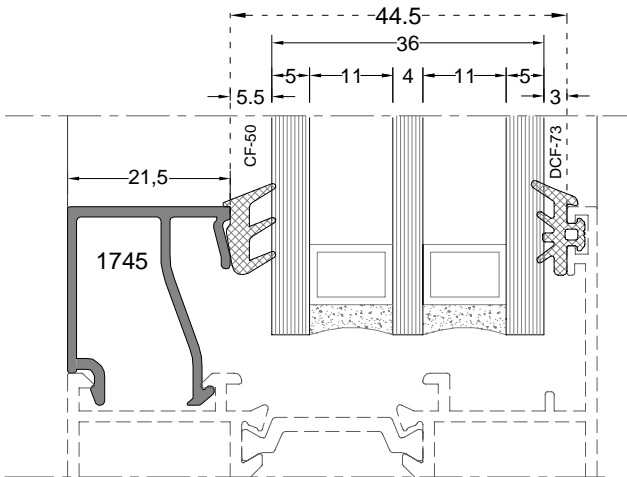
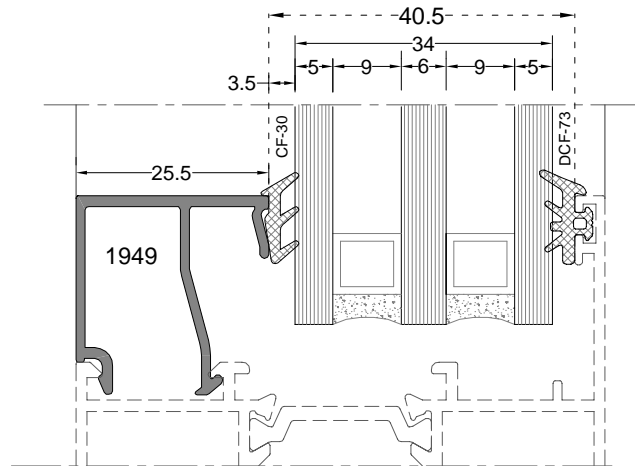
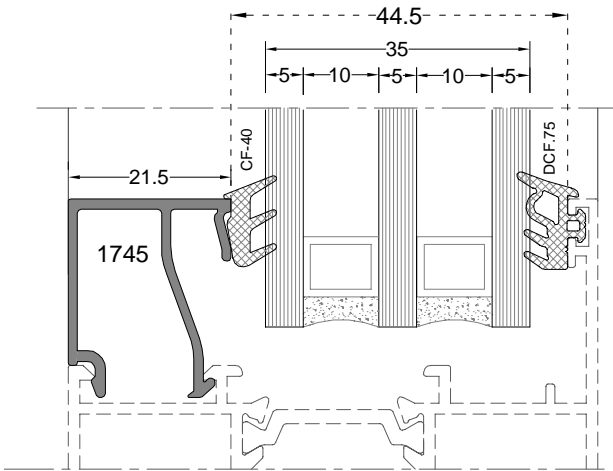
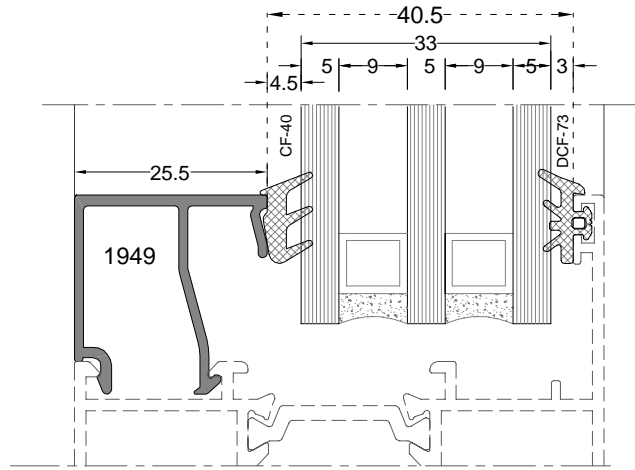
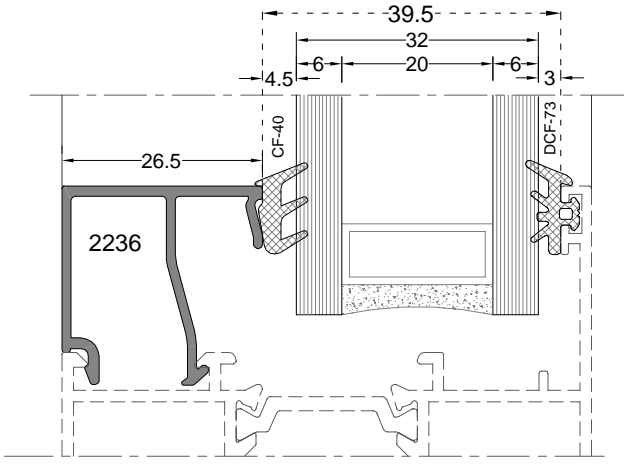


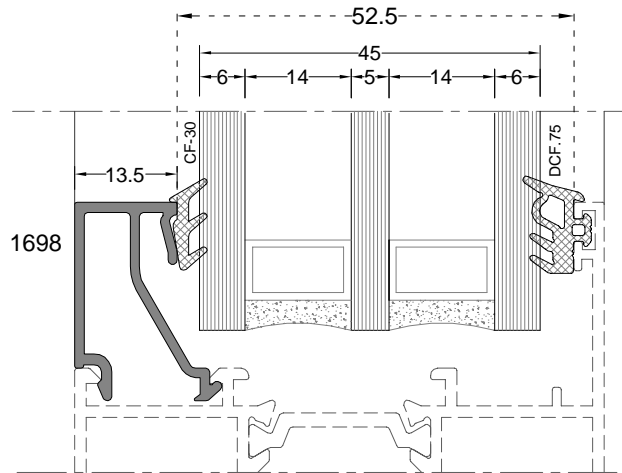
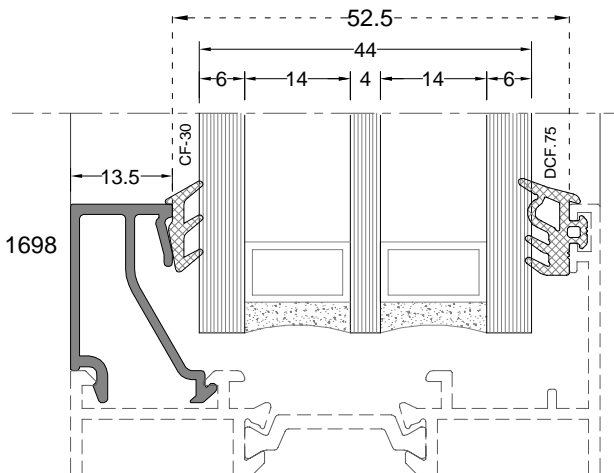
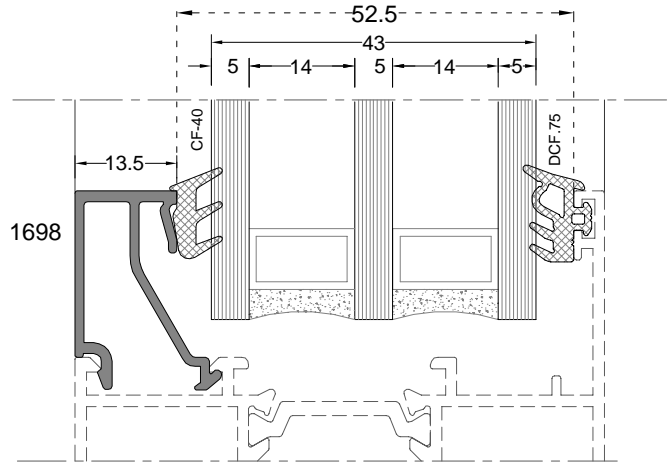
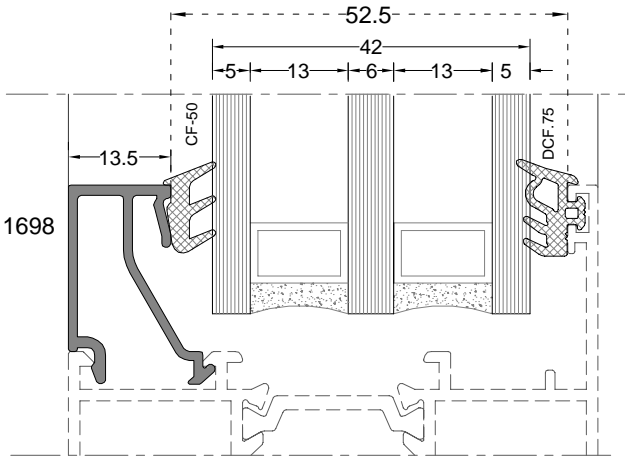
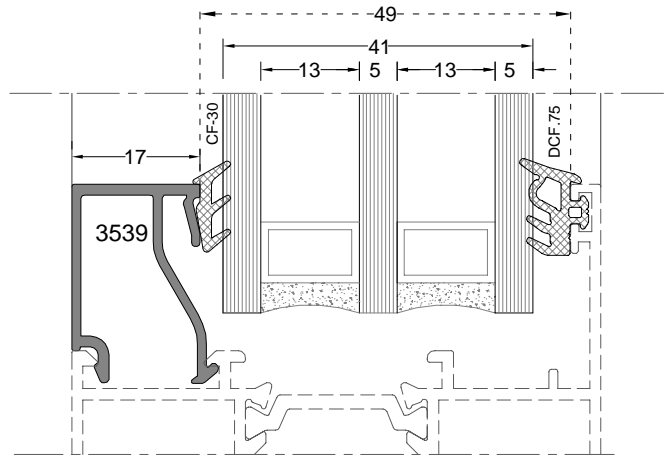
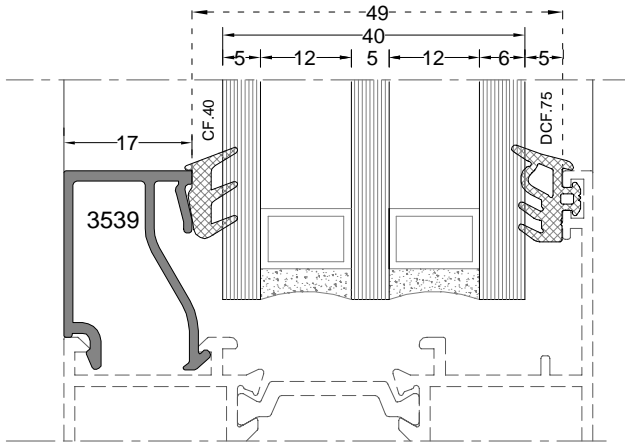
CAM ÇITASI GLAZING BEAD (G)	CAM ÇITASI UZUNLUĞU GLAZING BEAD LENGTH (L)	ÇAM F T L GLAZING GASKET(inside) (I)	CAM KALINLIĞI GLASS THICKNESS (T)	DI ÇAM F T L GLAZING GASKET(outside) (O)
1745	21,5 mm	CF.50	36 mm	DCF.73
1745	21,5 mm	CF.40	37 mm	DCF.73
1745	21,5 mm	CF.30	38 mm	DCF.73
1699	19,5 mm	CF.40	39 mm	DCF.73
3539	17,5 mm	CF.40	40 mm	DCF.75
3539	17,5 mm	CF.30	41 mm	DCF.75
1698	13,5 mm	CF.50	42 mm	DCF.75
1698	13,5 mm	CF.40	43 mm	DCF.75
1698	13,5 mm	CF.30	44 mm	DCF.75
1698	13,5 mm	CF.30	45 mm	DCF.75

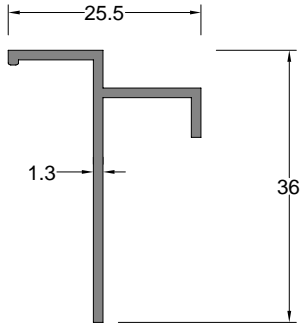




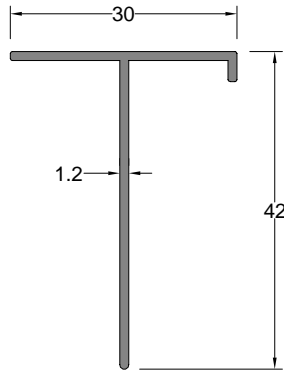




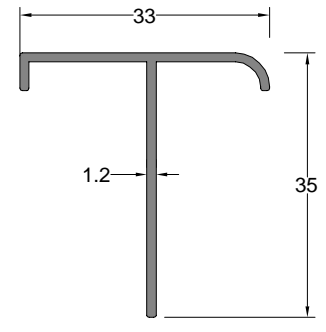




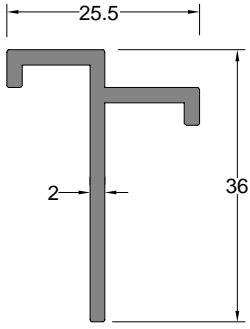
T Ba lantı Profili T CONNECTION PROFILE	Profil Kodu Profile Code	(kg/mt) Weight
	1121	0,232



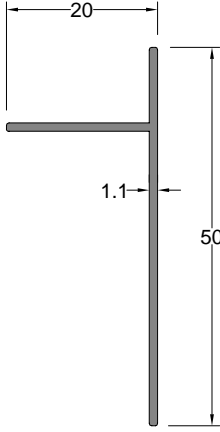
T Ba lantı Profili T CONNECTION PROFILE	Profil Kodu Profile Code	(kg/mt) Weight
	1035	0,239



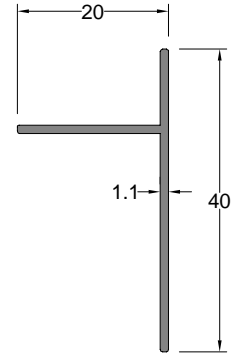
T Ba lantı Profili T CONNECTION PROFILE	Profil Kodu Profile Code	(kg/mt) Weight
	1139	0,239



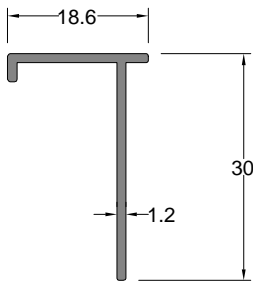
T Ba lantı Profili T CONNECTION PROFILE	Profil Kodu Profile Code	(kg/mt) Weight
	1123	0,355



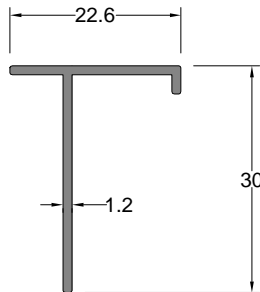
T Ba lantı Profili T CONNECTION PROFILE	Profil Kodu Profile Code	(kg/mt) Weight
	5788	0,205



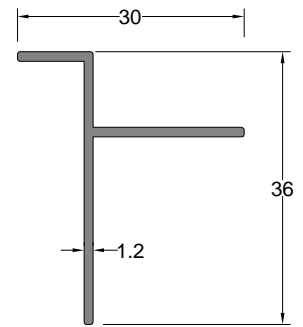
T Ba lantı Profili T CONNECTION PROFILE	Profil Kodu Profile Code	(kg/mt) Weight
	6414	0,175



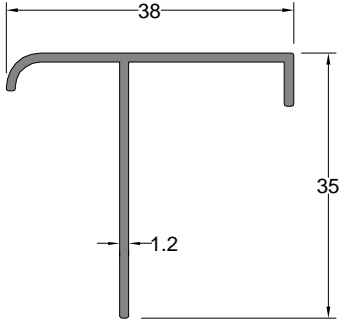
T Ba lantı Profili T CONNECTION PROFILE	Profil Kodu Profile Code	(kg/mt) Weight
	3917	0,162



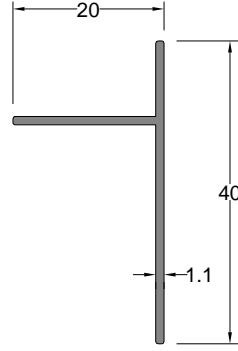
T Ba lantı Profili T CONNECTION PROFILE	Profil Kodu Profile Code	(kg/mt) Weight
	3832	0,175



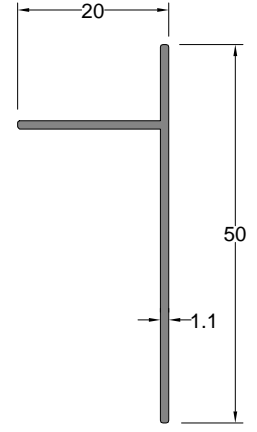
T Ba lantı Profili T CONNECTION PROFILE	Profil Kodu Profile Code	(kg/mt) Weight
	3818	0,210



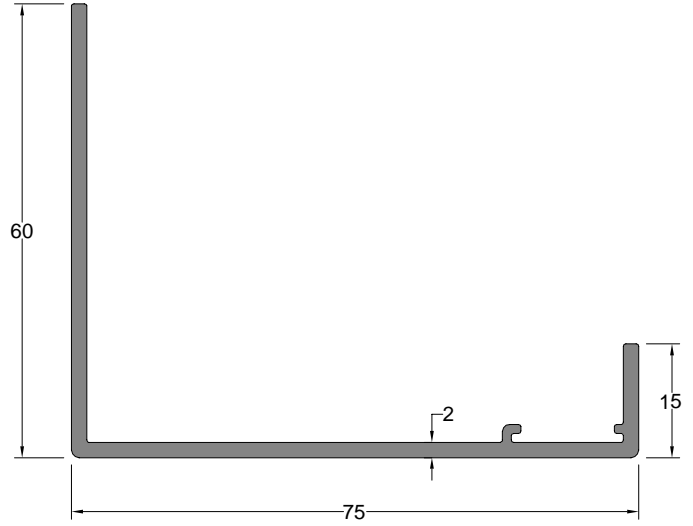
T Ba lantı Profili T CONNECTION PROFILE	Profil Kodu Profile Code	(kg/mt) Weight
	7039	0,260



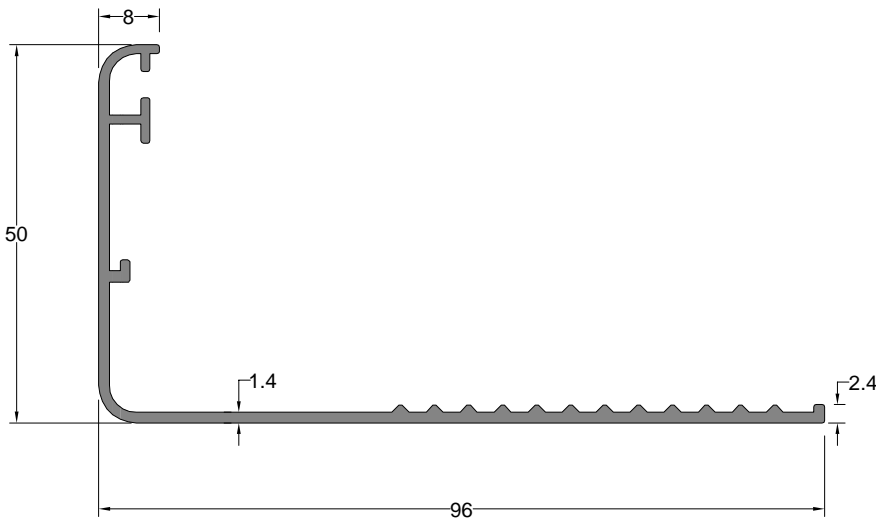
T Ba lantı Profili T CONNECTION PROFILE	Profil Kodu Profile Code	(kg/mt) Weight
	6414	0,175



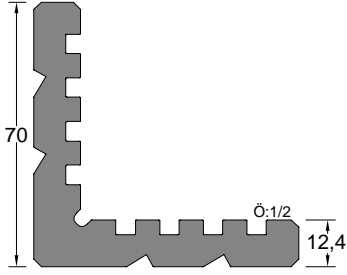
T Ba lantı Profili T CONNECTION PROFILE	Profil Kodu Profile Code	(kg/mt) Weight
	5788	0,205



Pervaz Profili SILL PROFILE	Profil Kodu Profile Code	(kg/mt) Weight
	10012	0,805

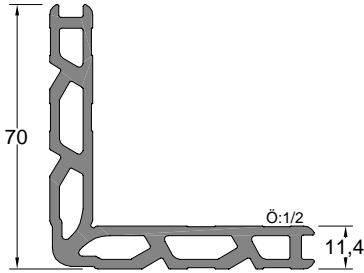


Pervaz Profili SILL PROFILE	Profil Kodu Profile Code	(kg/mt) Weight
	553	0,656



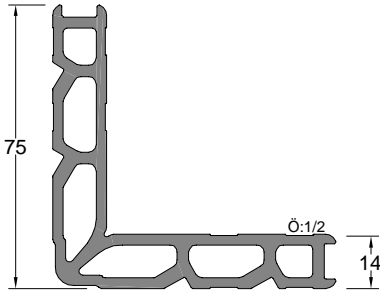
Kö e Takoz Profili CORNER WEDGE PROFILE	Profil Kodu Profile Code	(kg/mt) Weight
	413	3,667

Kö e Takozu Profil Kodu Corner Wedge Profile Code	Kullanıldığı Profil Compatible Profile	Kesim Boyu (mm) Cutting Length (mm)
413	7009	12,00 mm
	7016	26,50 mm



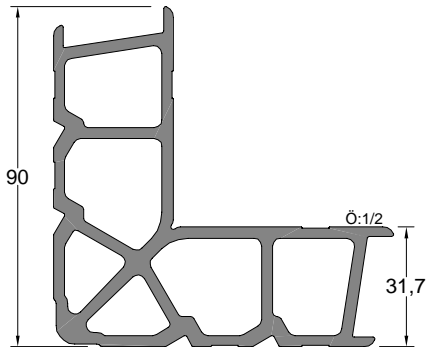
Kö e Takoz Profili CORNER WEDGE PROFILE	Profil Kodu Profile Code	(kg/mt) Weight
	5022	2,245

Kö e Takozu Profil Kodu Corner Wedge Profile Code	Kullanıldığı Profil Compatible Profile	Kesim Boyu (mm) Cutting Length (mm)
5022	7008	26,50 mm



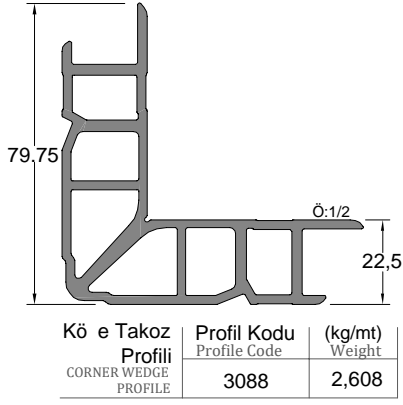
Kö e Takoz Profili CORNER WEDGE PROFILE	Profil Kodu Profile Code	(kg/mt) Weight
	1662	2,576

Kö e Takozu Profil Kodu Corner Wedge Profile Code	Kullanıldığı Profil Compatible Profile	Kesim Boyu (mm) Cutting Length (mm)
1662	7018	27,00 mm
	7058	26,40 mm

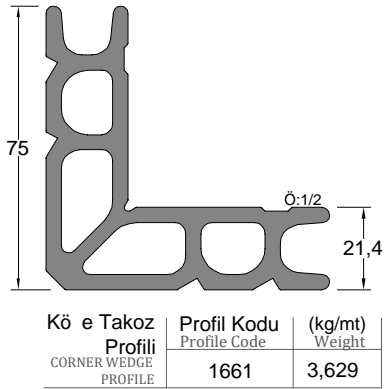


Kö e Takoz Profili CORNER WEDGE PROFILE	Profil Kodu Profile Code	(kg/mt) Weight
	7022	3,952

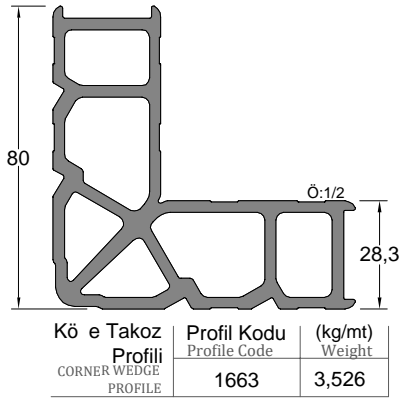
Kö e Takozu Profil Kodu Corner Wedge Profile Code	Kullanıldığı Profil Compatible Profile	Kesim Boyu (mm) Cutting Length (mm)
7022	7042	12,00 mm



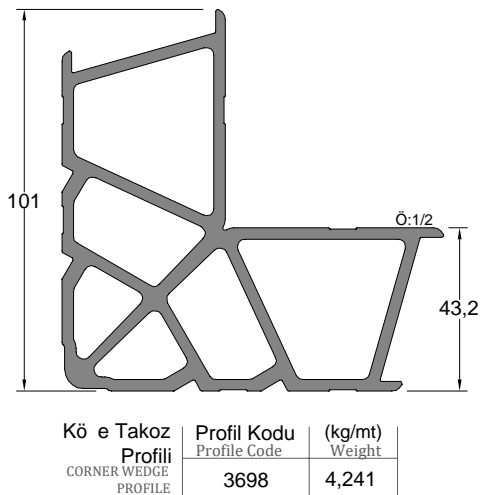
Kö e Takozu Profil Kodu Corner Wedge Profile Code	Kullanıldığı Profil Compatible Profile	Kesim Boyu (mm) Cutting Length (mm)
3088	7004,7005,7038	12,00 mm
	7054	26,50 mm
	7006	30,00 mm
	7007	41,00 mm
	7055,7046	29,00 mm
	7017,11826	27,00 mm
	7011,11824	12,00 mm
	7047	18,50 mm



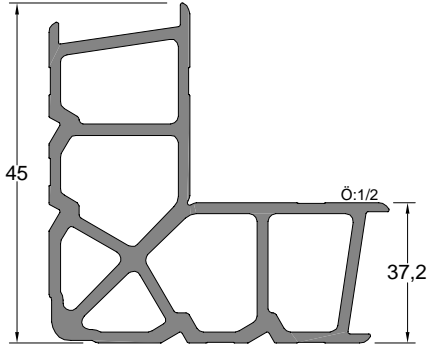
Kö e Takozu Profil Kodu Corner Wedge Profile Code	Kullanıldığı Profil Compatible Profile	Kesim Boyu (mm) Cutting Length (mm)
1661	7048	26,00 mm
	7049	11,00 mm
	7059	11,40 mm



Kö e Takozu Profil Kodu Corner Wedge Profile Code	Kullanıldığı Profil Compatible Profile	Kesim Boyu (mm) Cutting Length (mm)
1663	7044	19,50 mm
	7045	19,50 mm

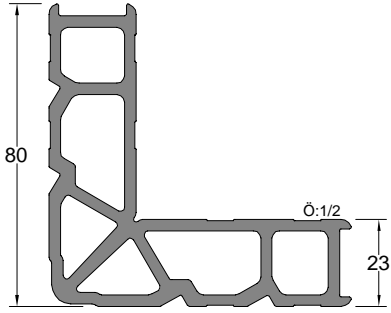


Kö e Takozu Profil Kodu Corner Wedge Profile Code	Kullanıldığı Profil Compatible Profile	Kesim Boyu (mm) Cutting Length (mm)
3698	7012,7014	26,50 mm
	7013,7015	12,00 mm



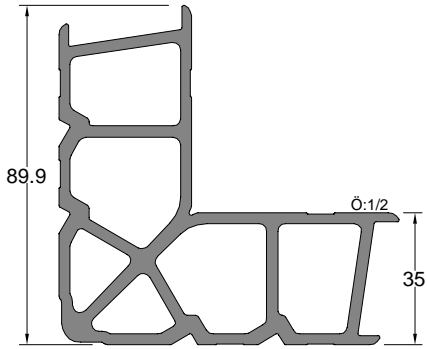
Kö e Takoz Profili CORNER WEDGE PROFILE	Profil Kodu Profile Code	(kg/mt) Weight
	1664	3,991

Kö e Takozu Profil Kodu Corner Wedge Profile Code	Kullanıldığı Profil Compatible Profile	Kesim Boyu (mm) Cutting Length (mm)
1664	7056,7057	18,90 mm



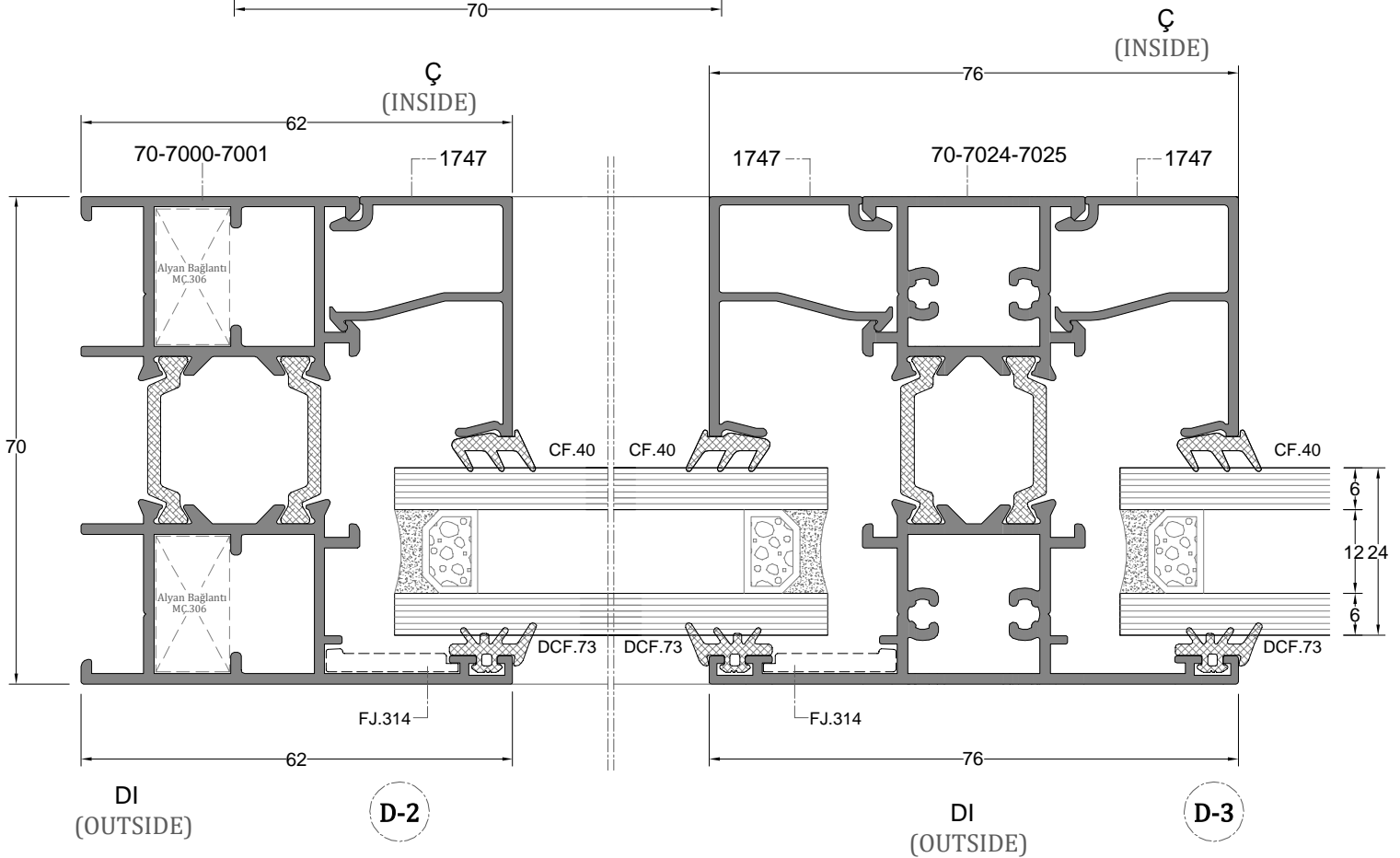
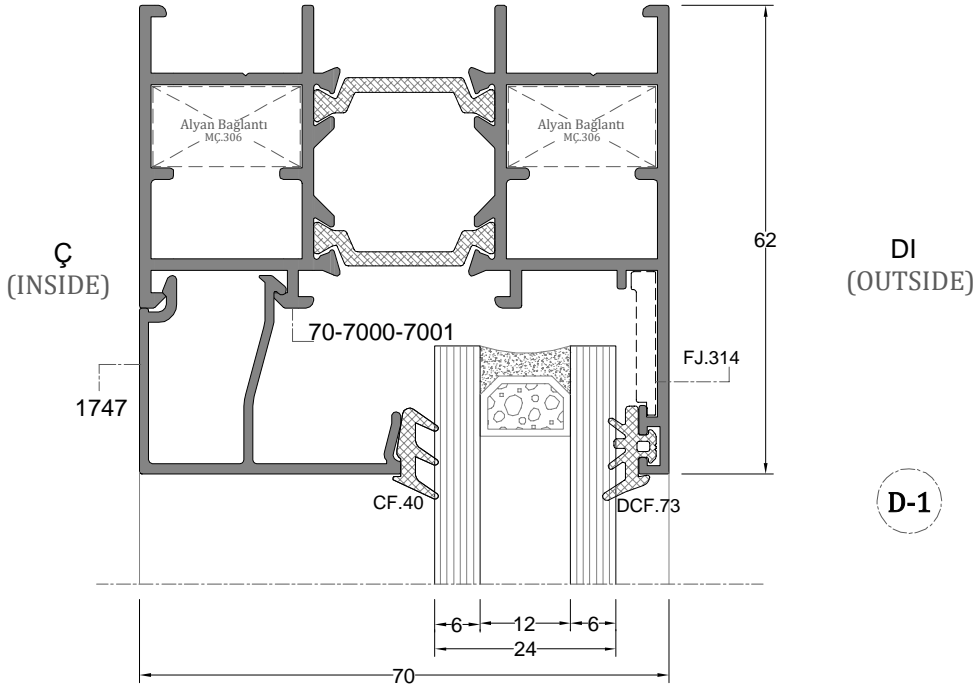
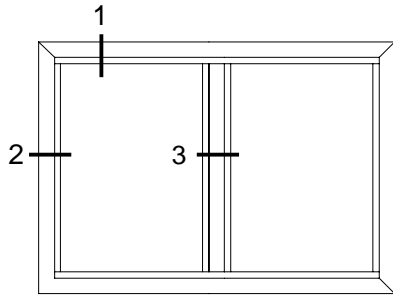
Kö e Takoz Profili CORNER WEDGE PROFILE	Profil Kodu Profile Code	(kg/mt) Weight
	3546	3,357

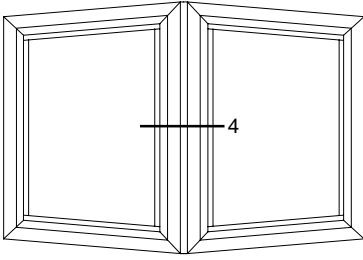
Kö e Takozu Profil Kodu Corner Wedge Profile Code	Kullanıldığı Profil Compatible Profile	Kesim Boyu (mm) Cutting Length (mm)
3546	7041	27,00 mm
	8763	18,90 mm
	8764	18,90 mm



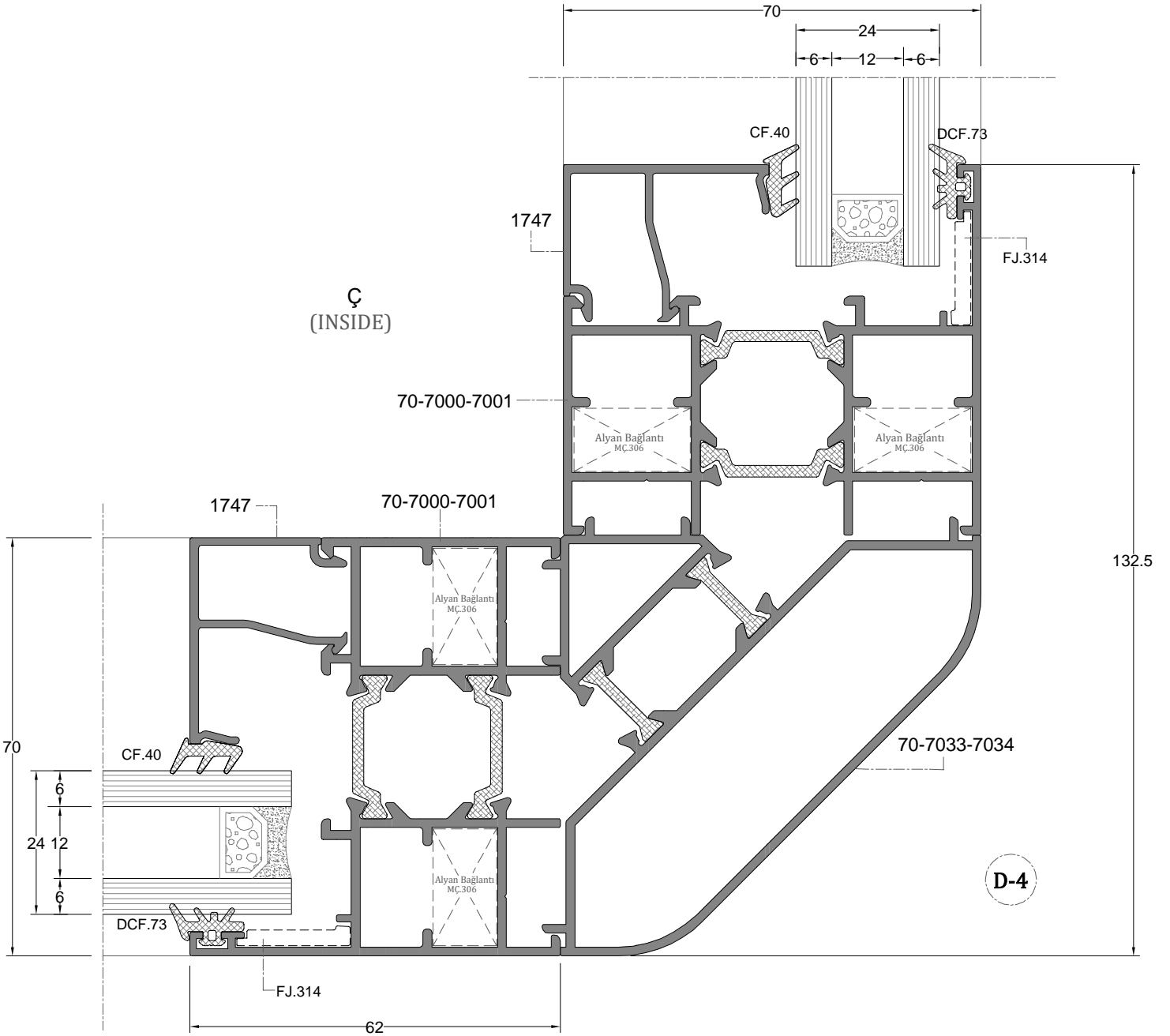
Kö e Takoz Profili CORNER WEDGE PROFILE	Profil Kodu Profile Code	(kg/mt) Weight
	7040	3,398

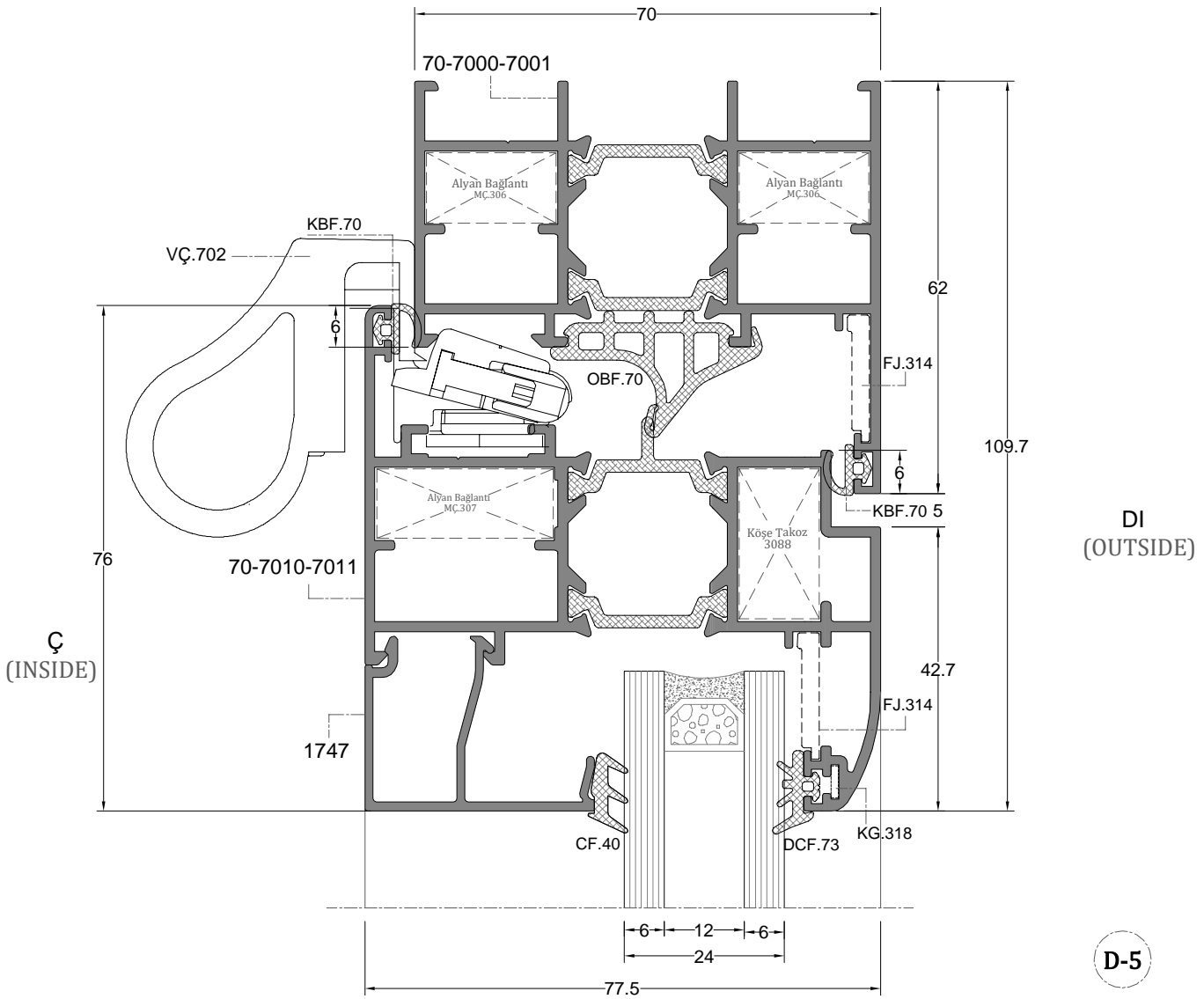
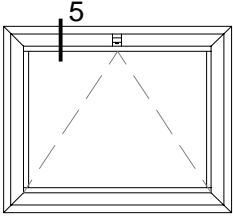
Kö e Takozu Profil Kodu Corner Wedge Profile Code	Kullanıldığı Profil Compatible Profile	Kesim Boyu (mm) Cutting Length (mm)
7040	7019,7020	27,00 mm

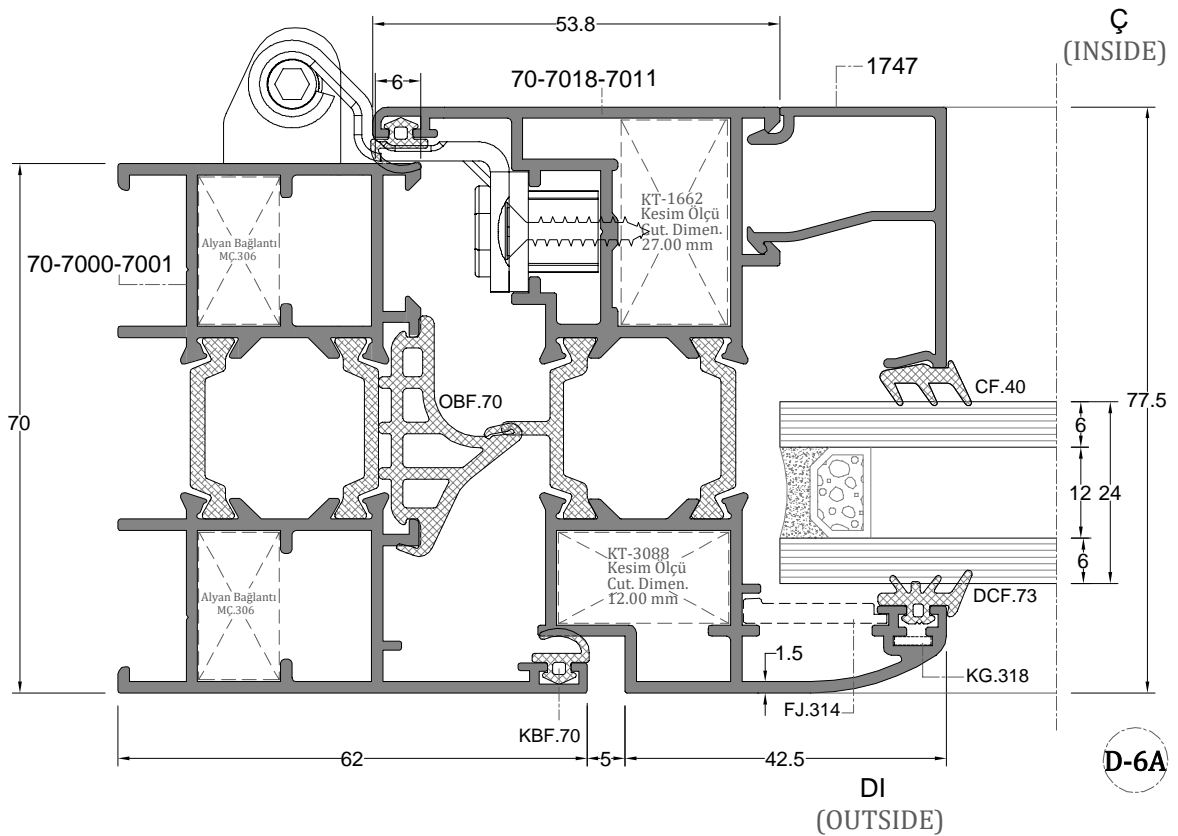
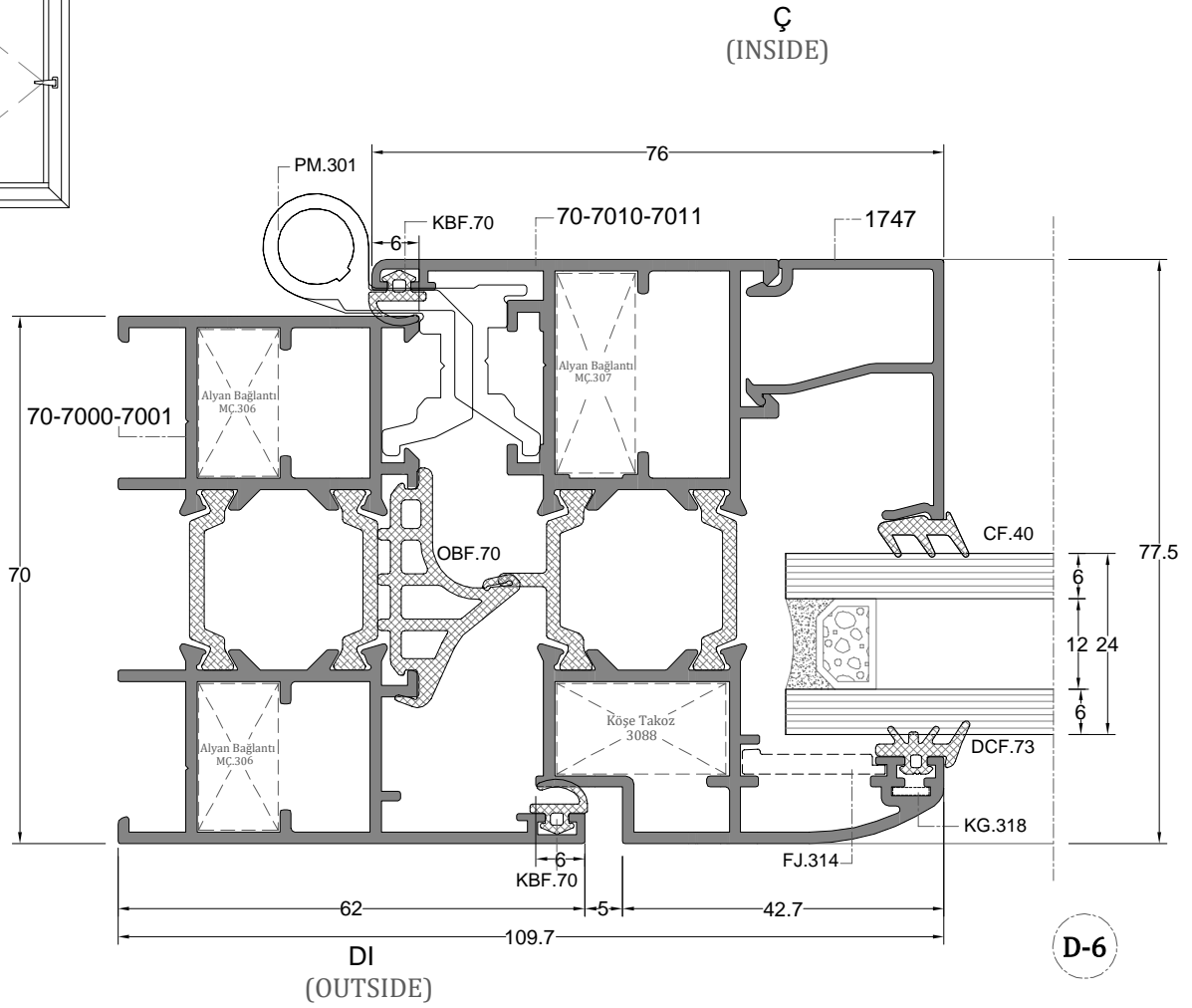
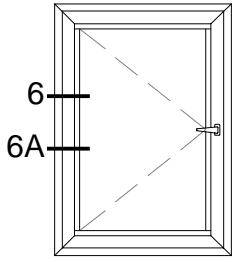


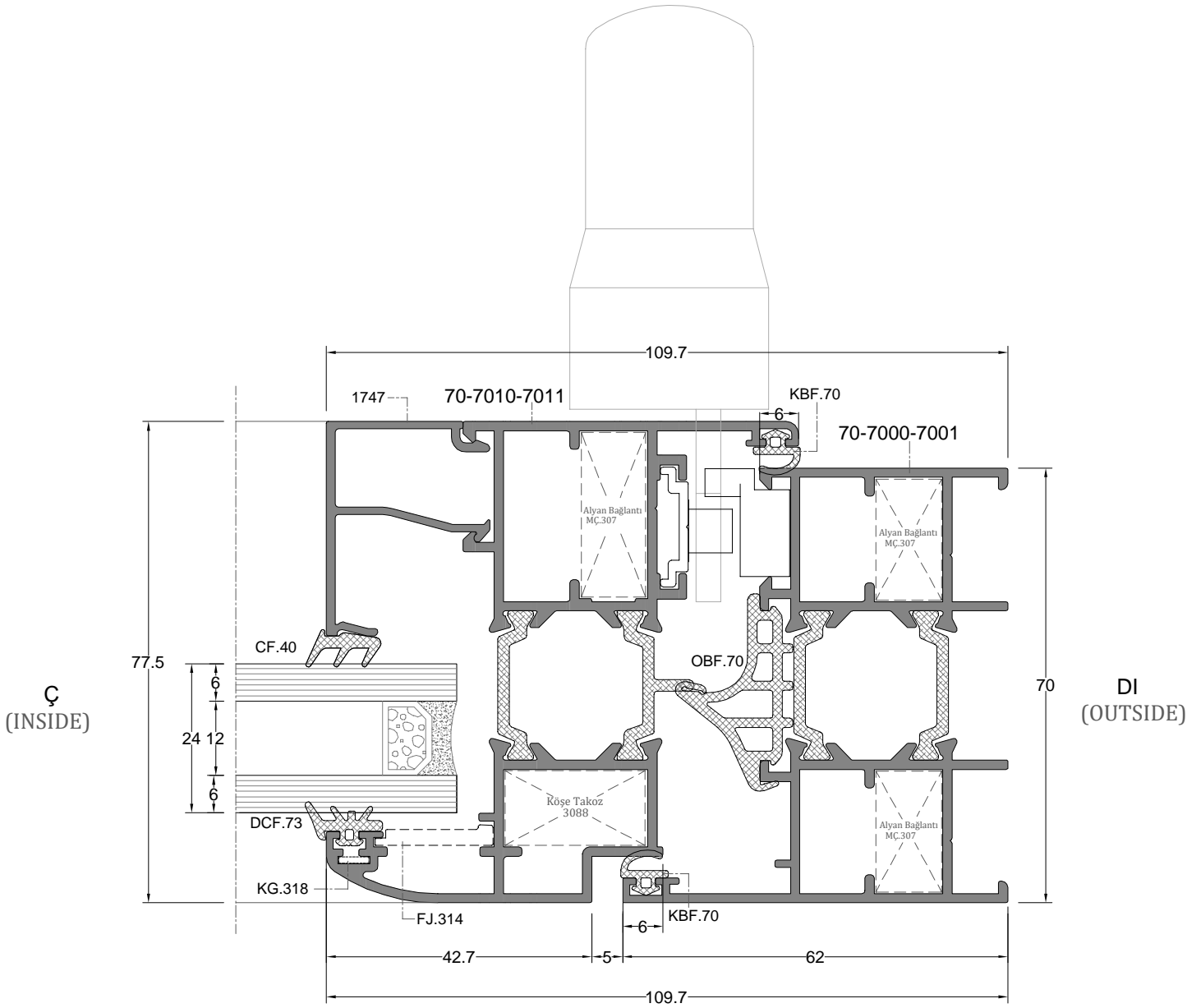
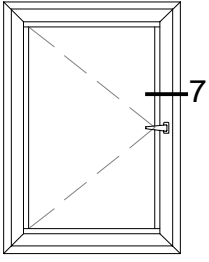


DI
(OUTSIDE)

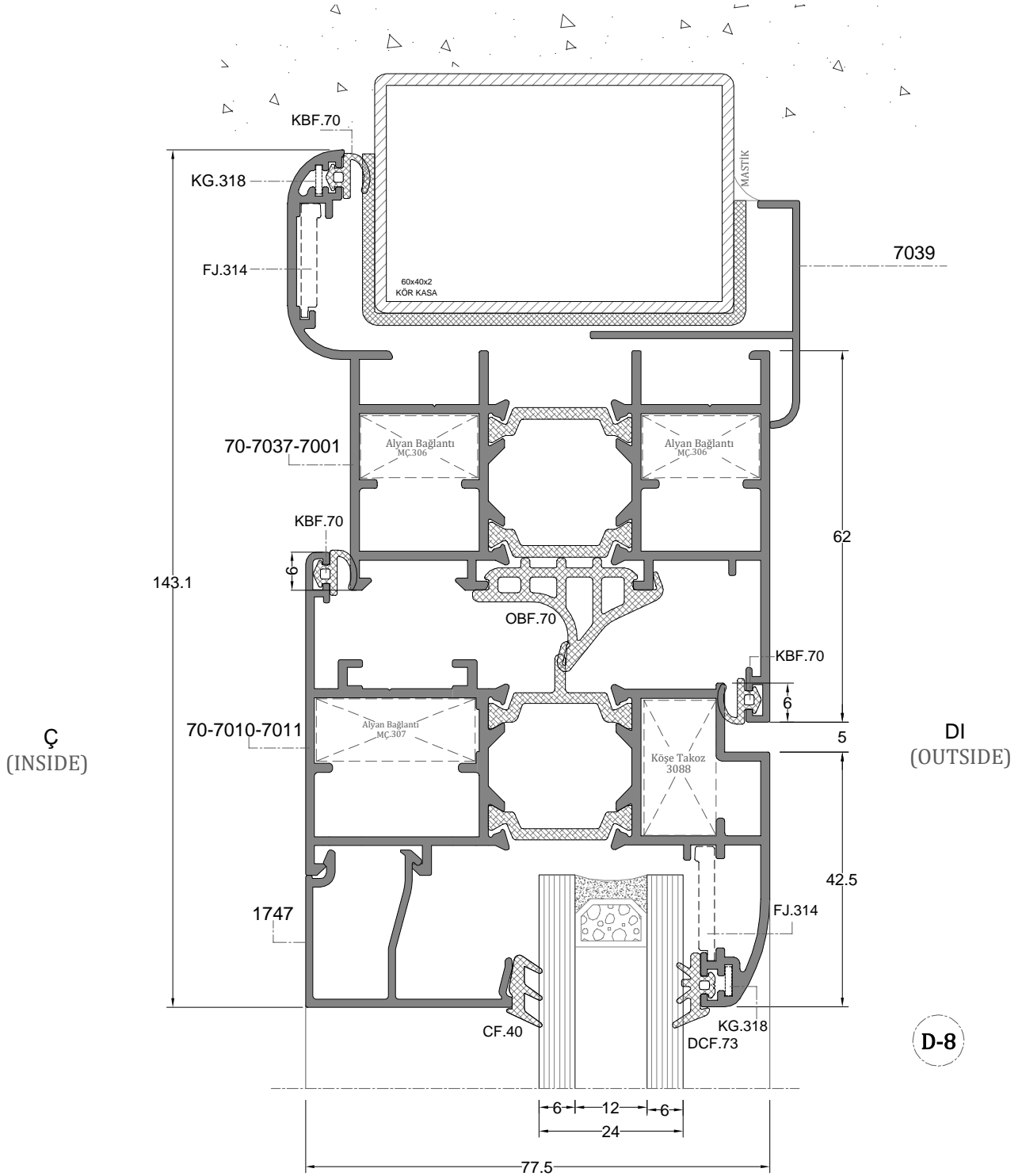
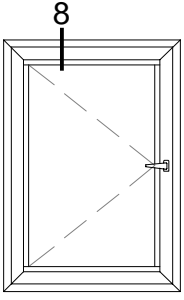


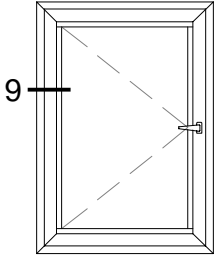




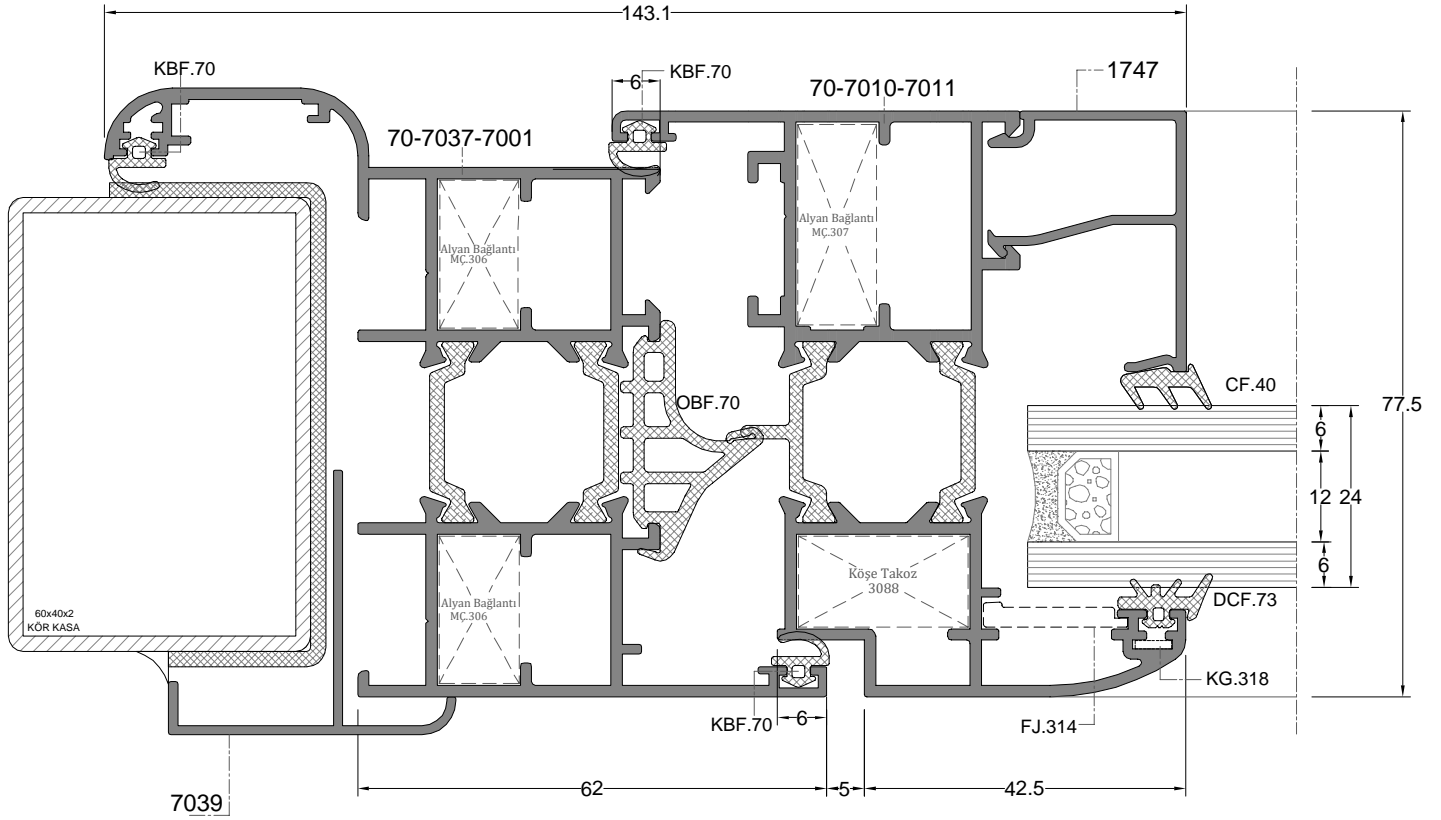


D-7



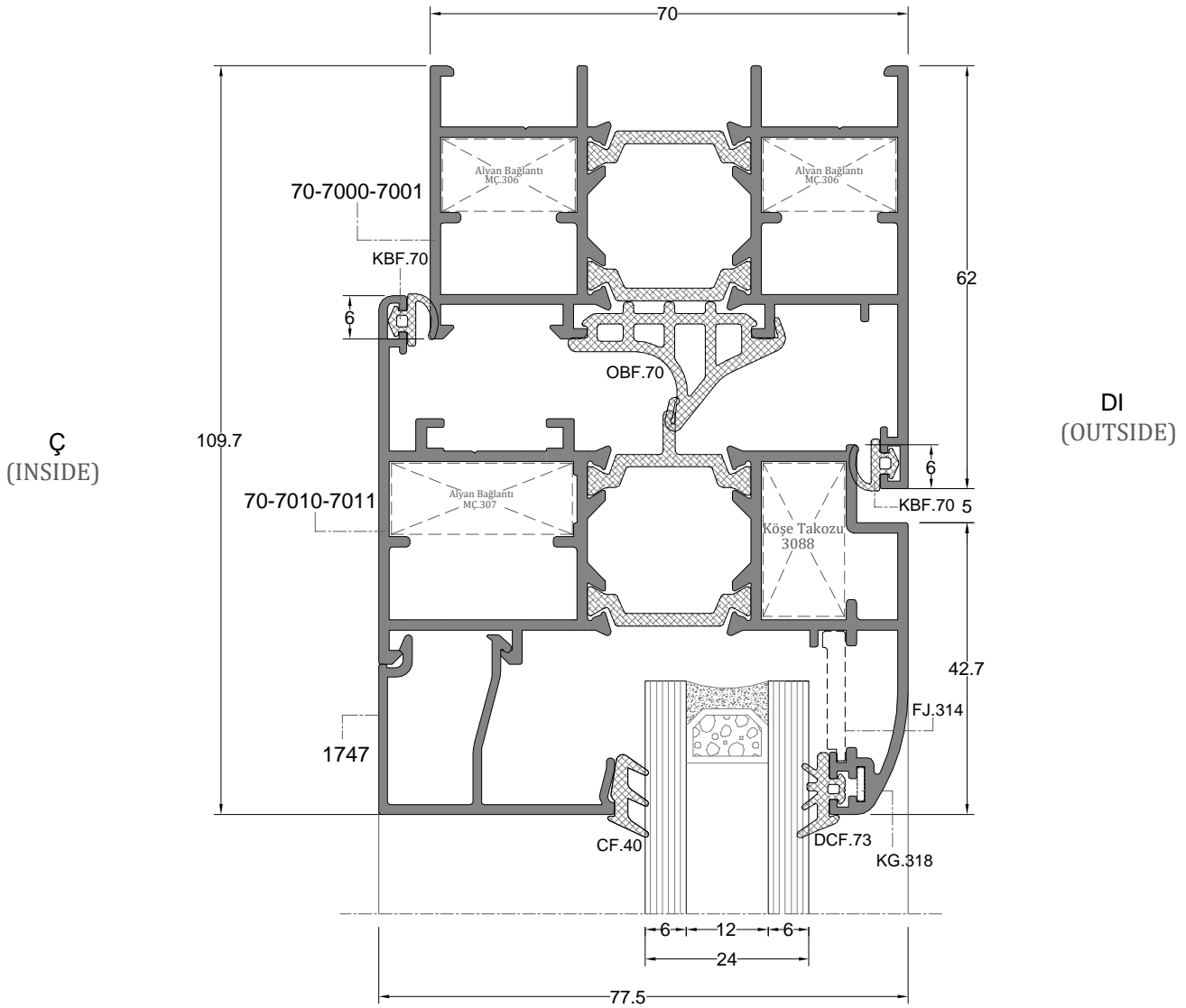
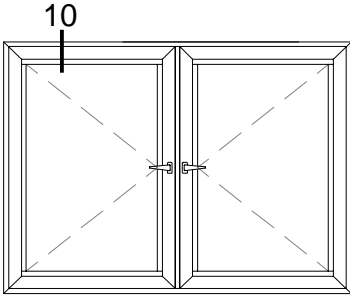


Ç
(INSIDE)

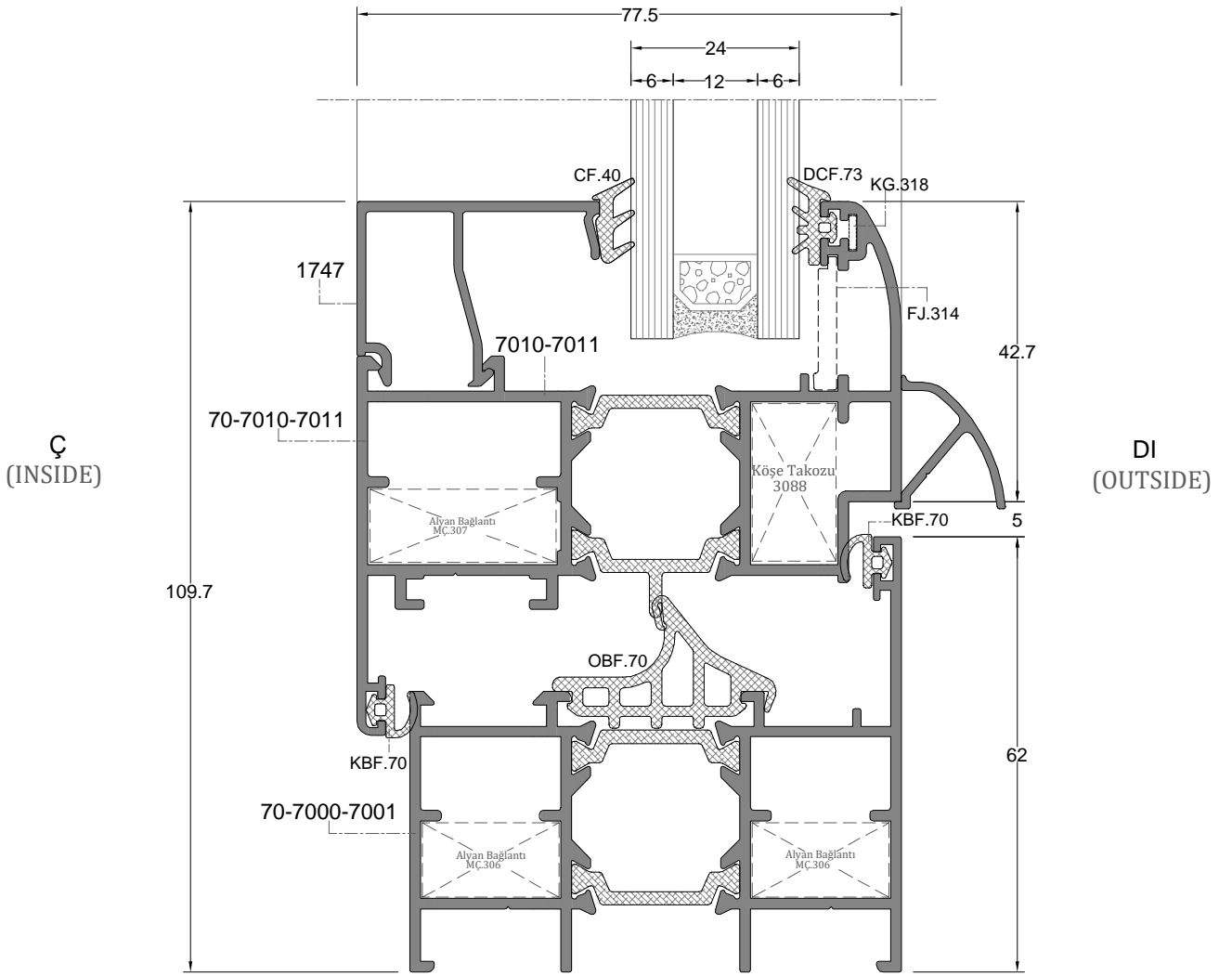
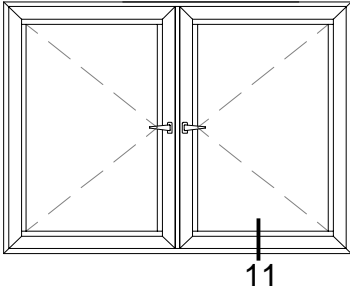


DI
(OUTSIDE)

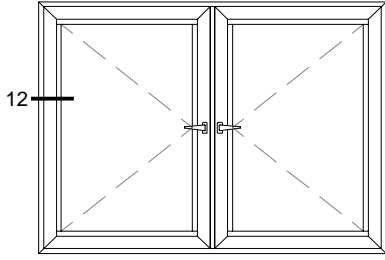
D-9



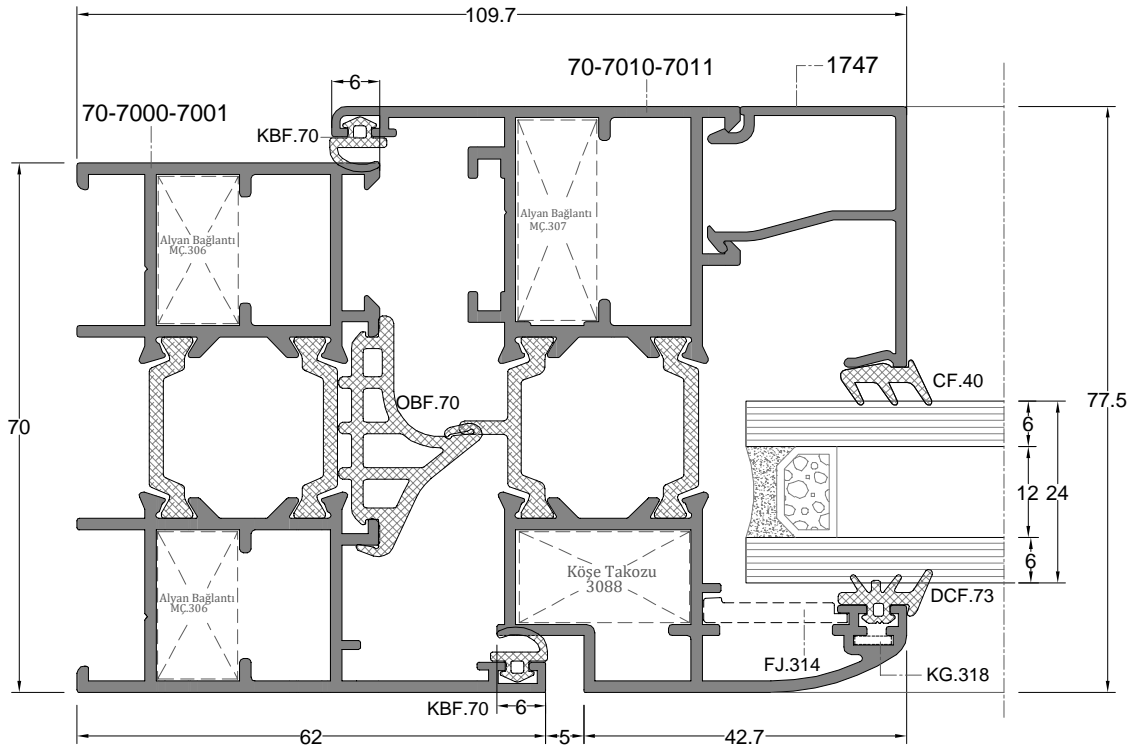
D-10



D-11

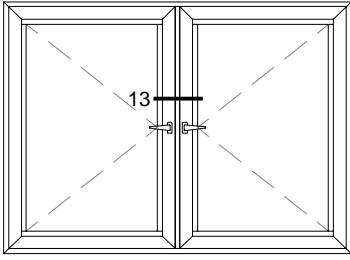


Ç
(INSIDE)

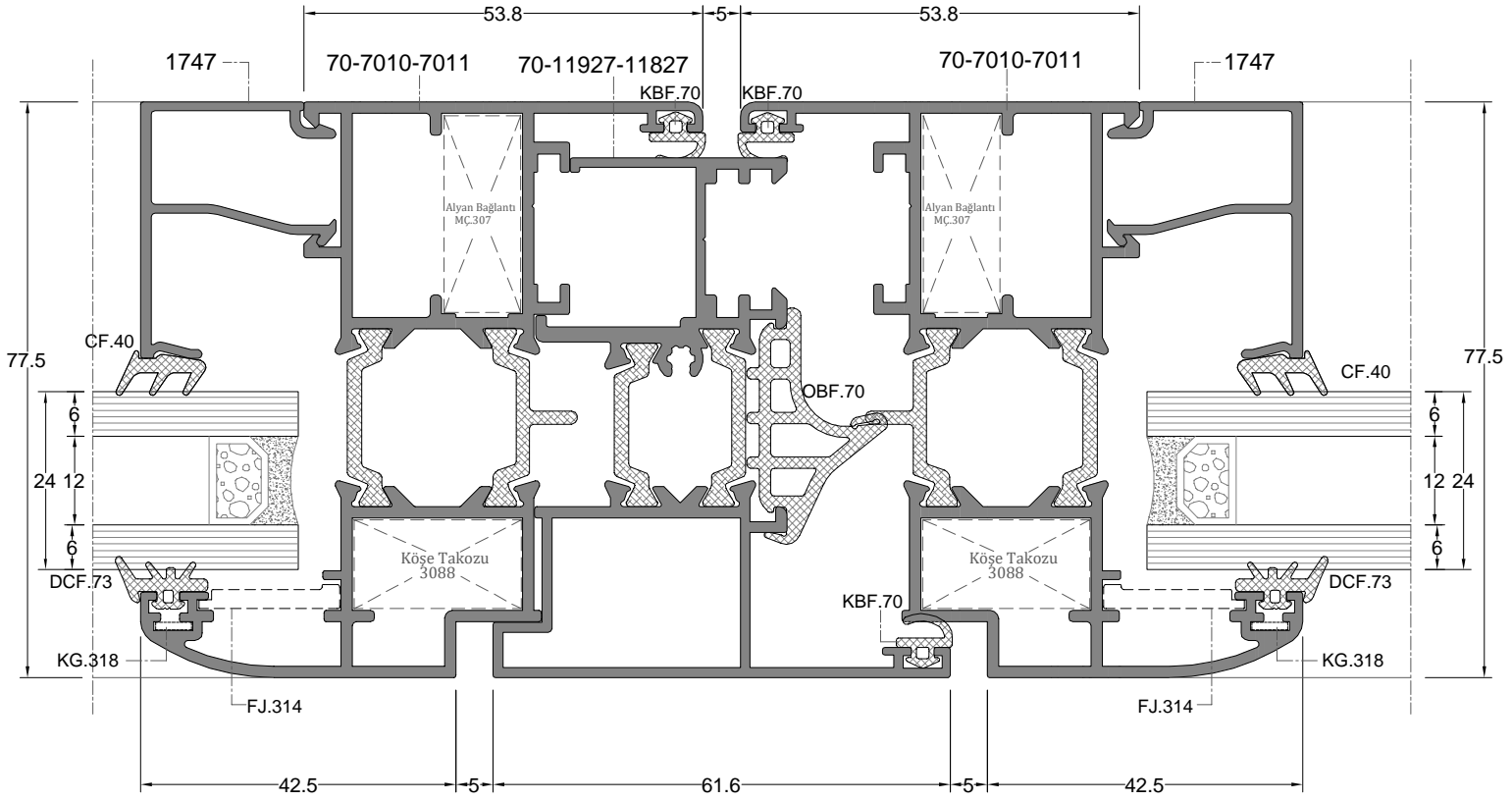


DI
(OUTSIDE)

D-12

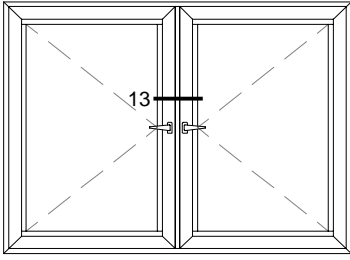


Ç
(INSIDE)

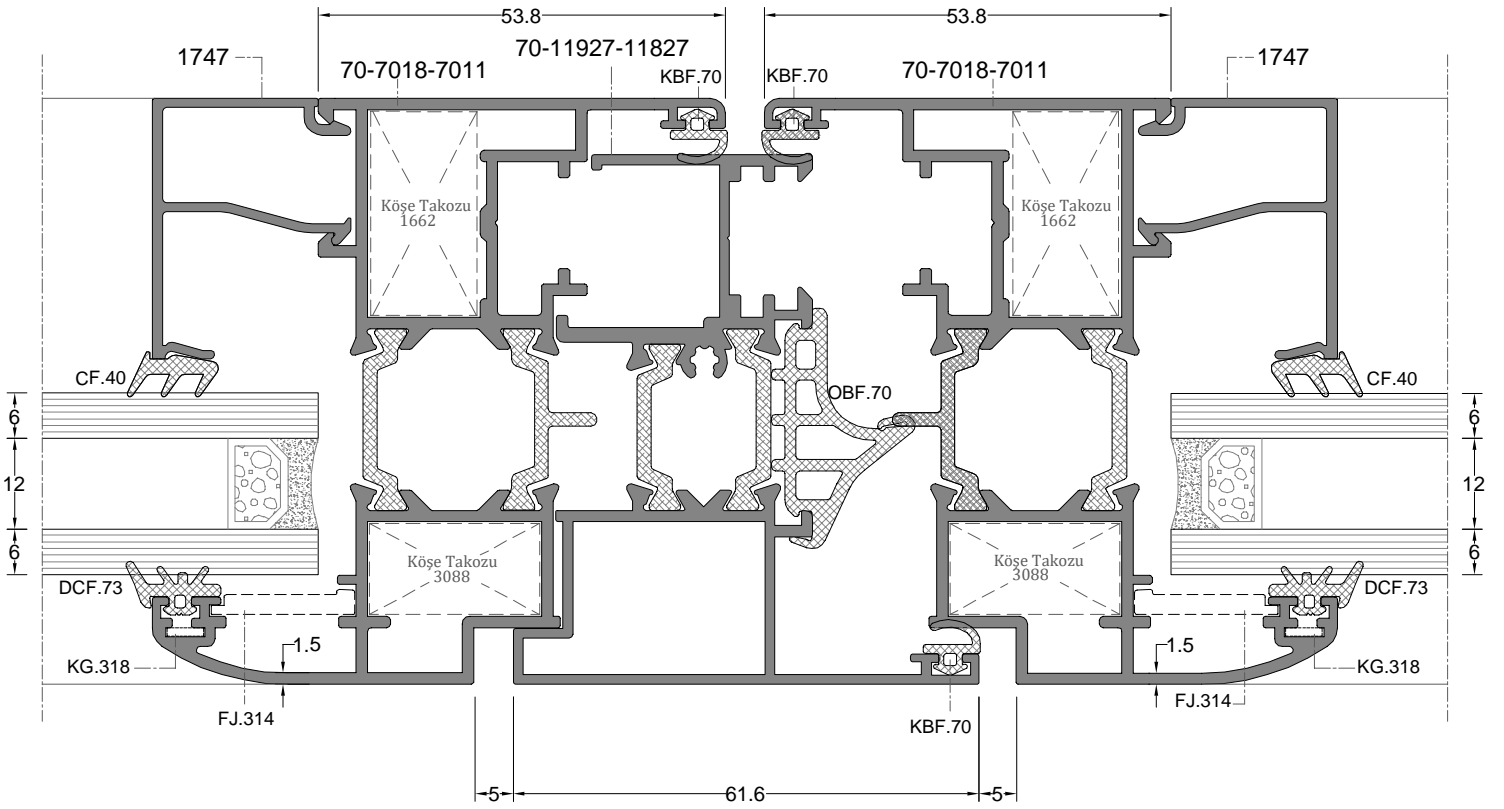


DI
(OUTSIDE)

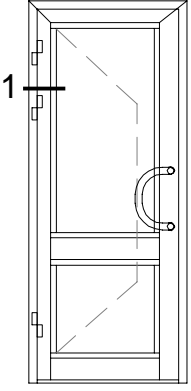
D-13



Ç
(INSIDE)

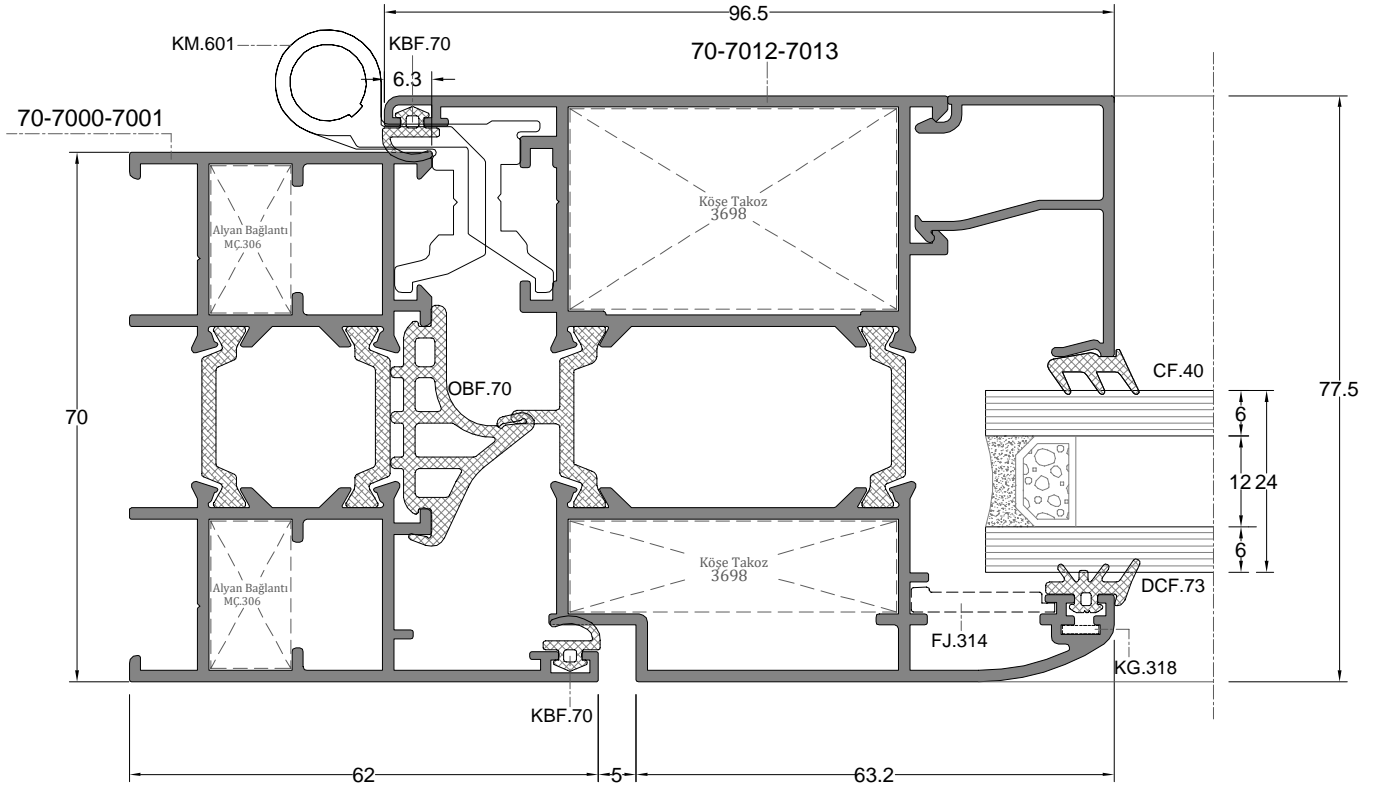


DI
(OUTSIDE)



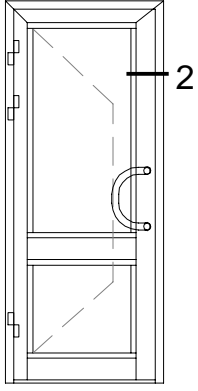
BİNİLİ KAPI DETAY (ALTERNATİF MENTŞELİ)

Ç
(INSIDE)

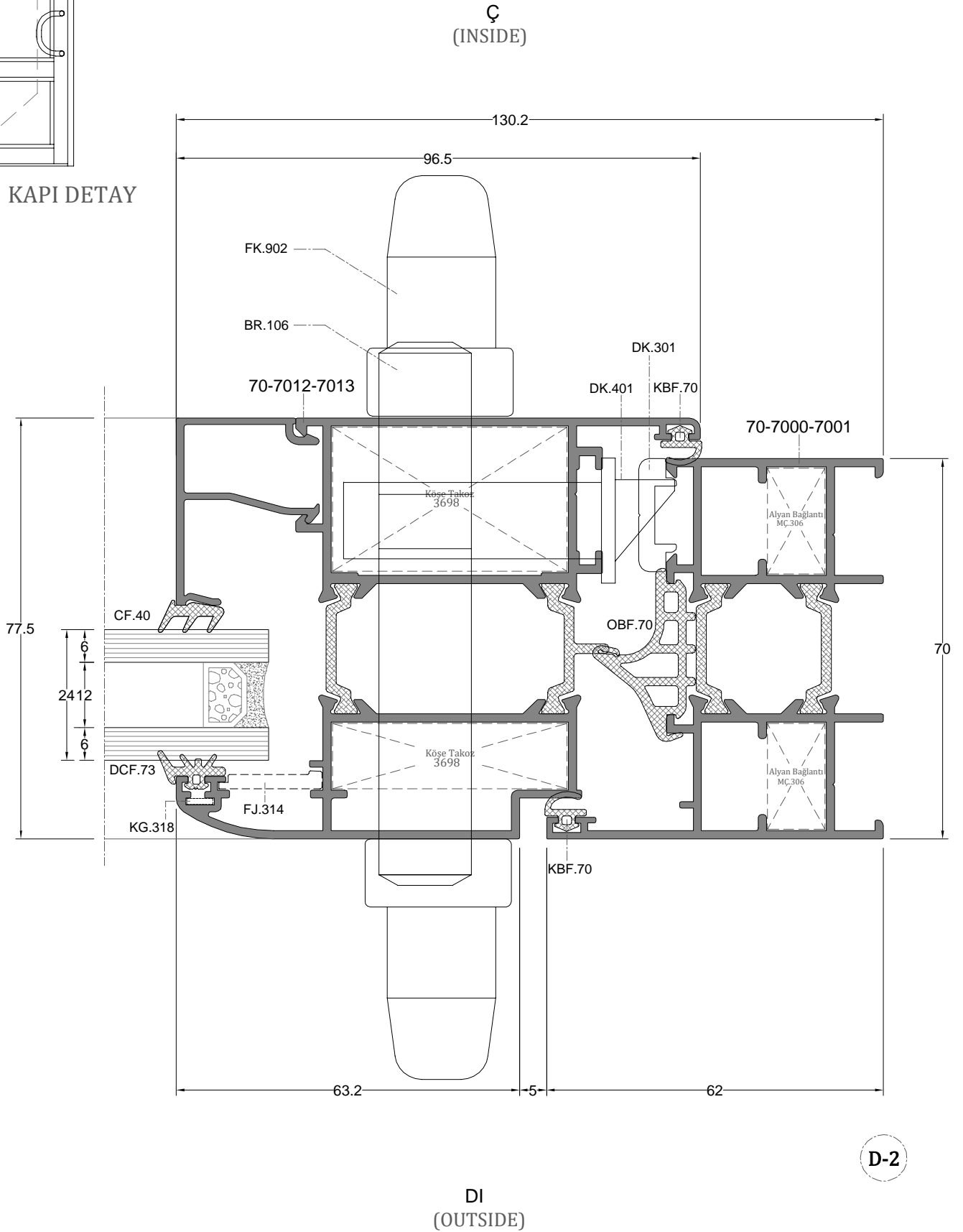


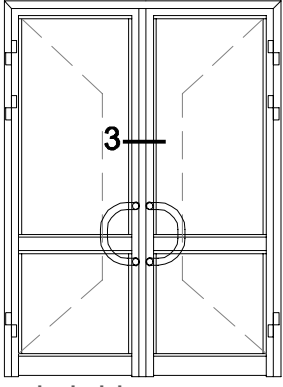
D-1

DI
(OUTSIDE)



BİNLİ KAPI DETAY

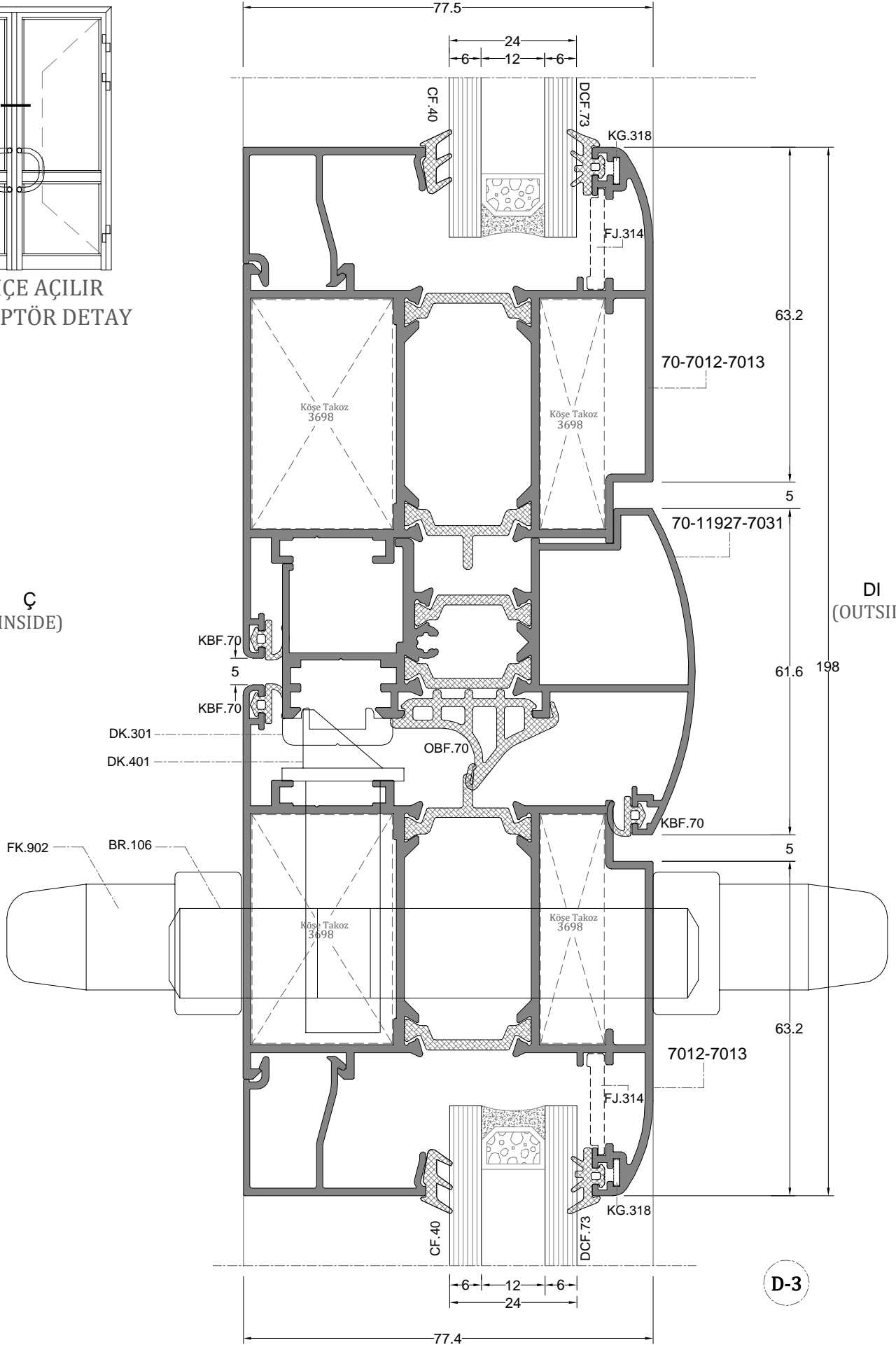


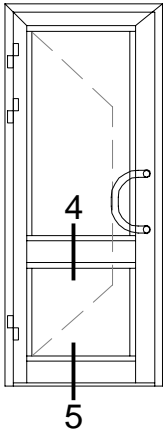


**BİNİLİ İÇE AÇILIR
KAPI ADAPTÖR DETAY**

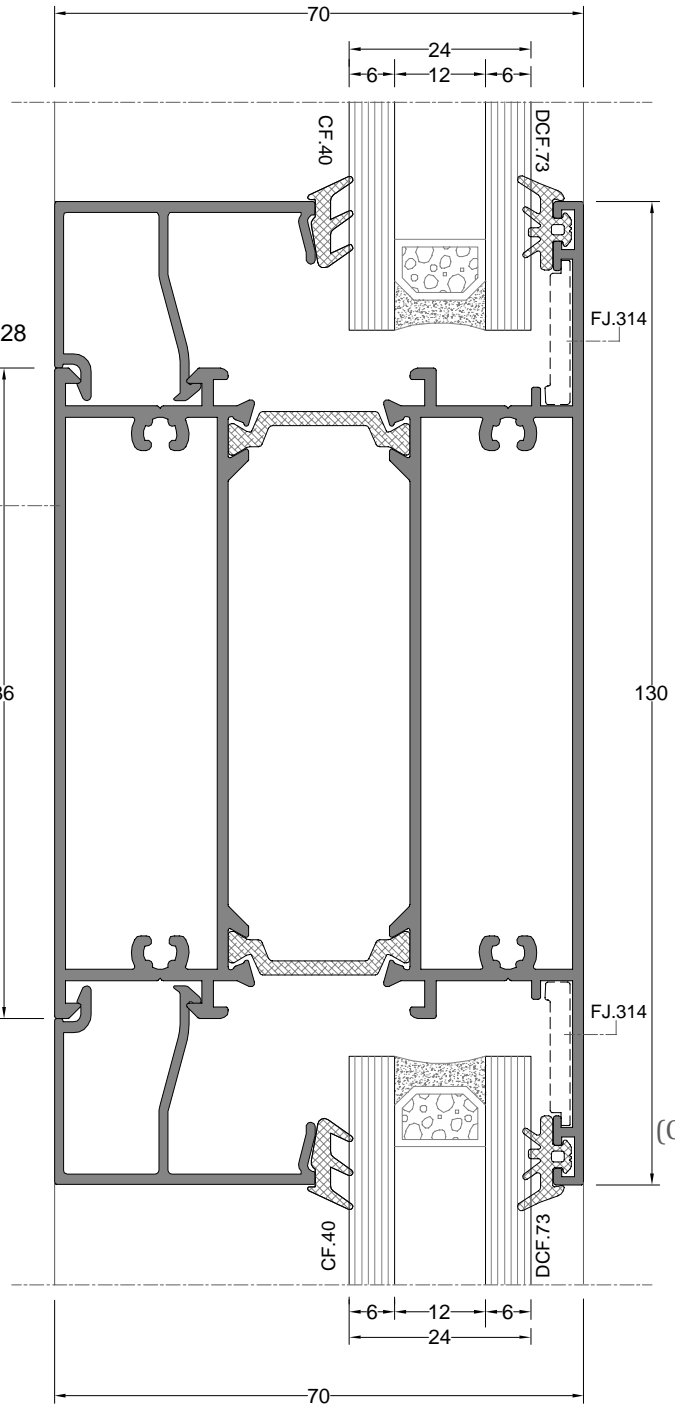
Ç
(INSIDE)

DI
(OUTSIDE)



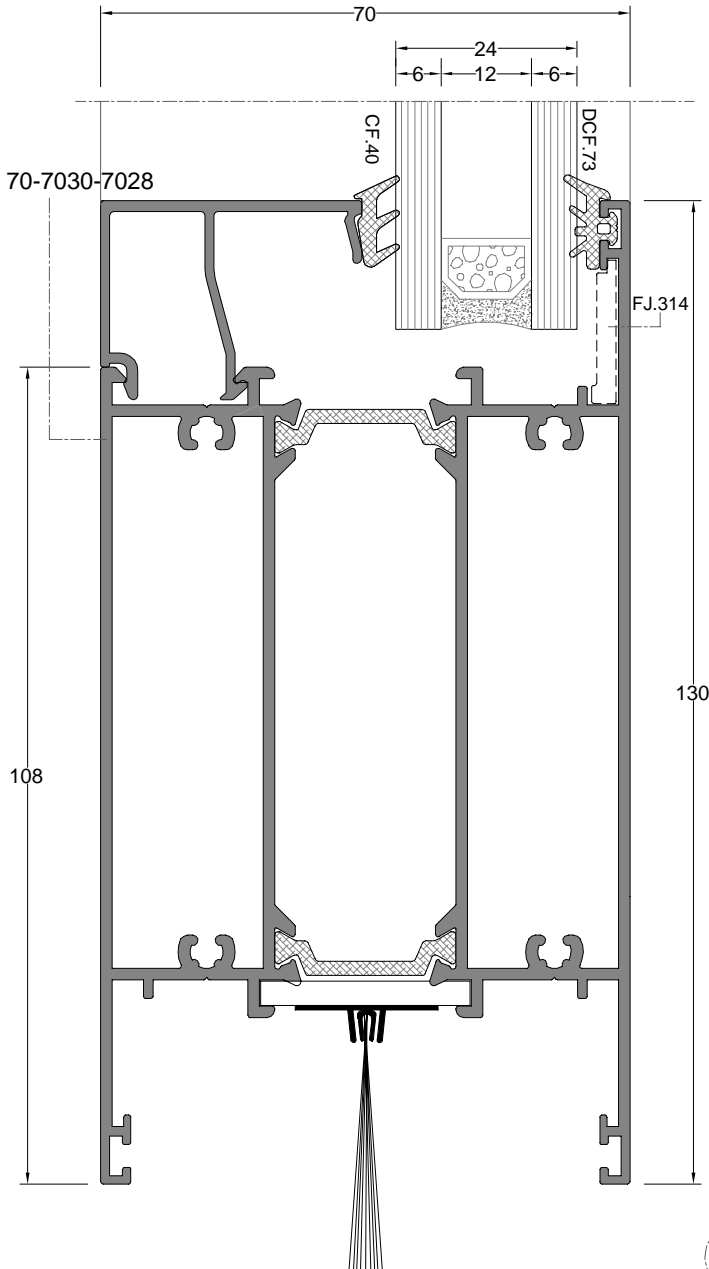


Ç
(INSIDE)

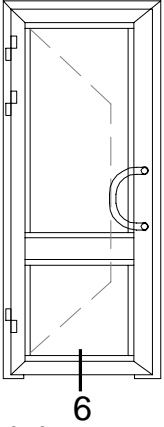


D-4

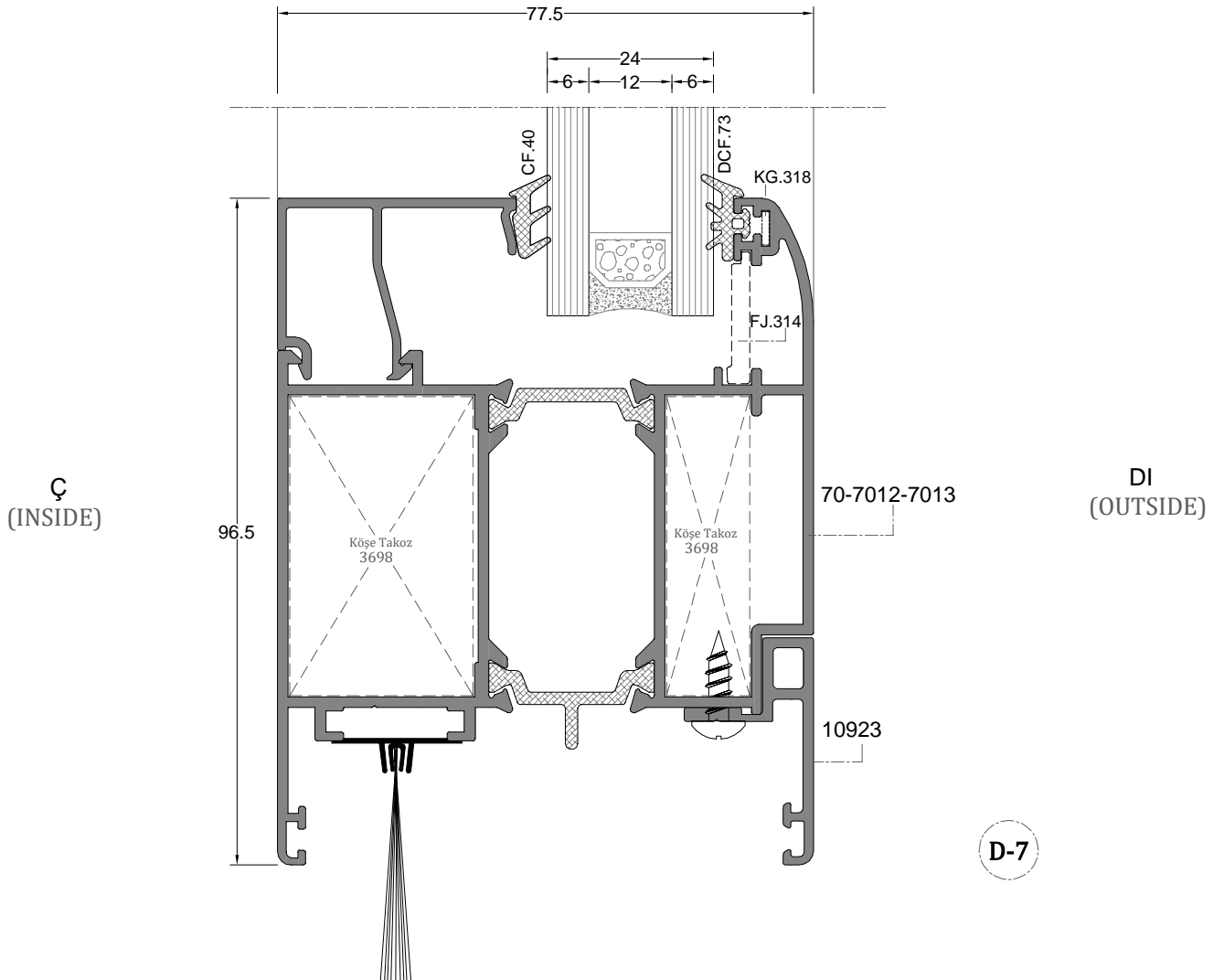
Ç
(INSIDE)

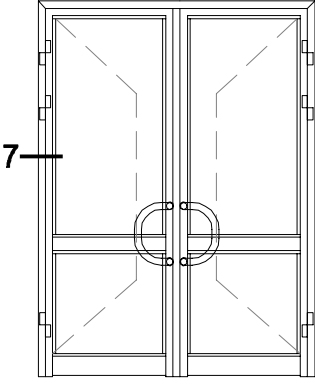


D-5



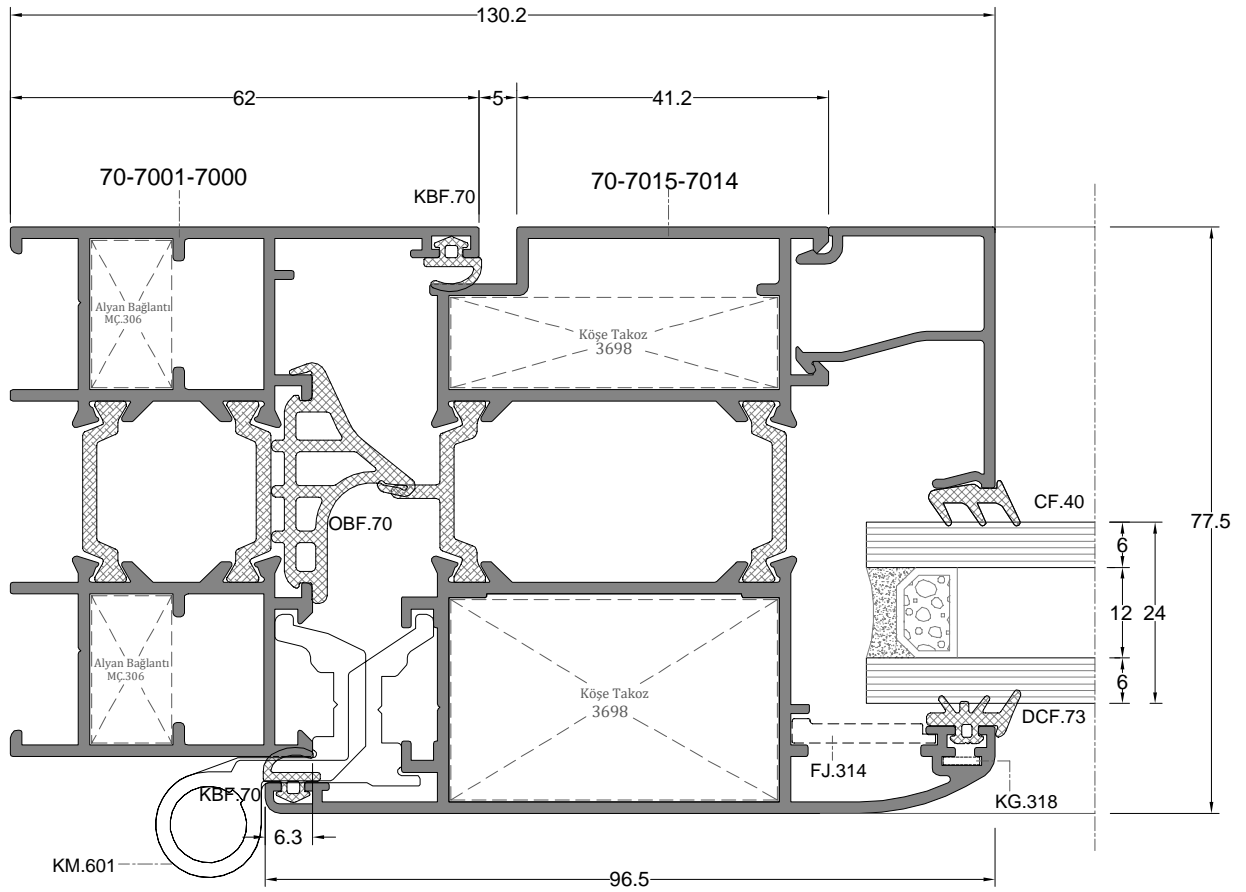
**BİNİLİ ALTERNATİF KAPI ETEK
DETAYI**





BİNİLİ DIŞA AÇILIR KAPI DETAY

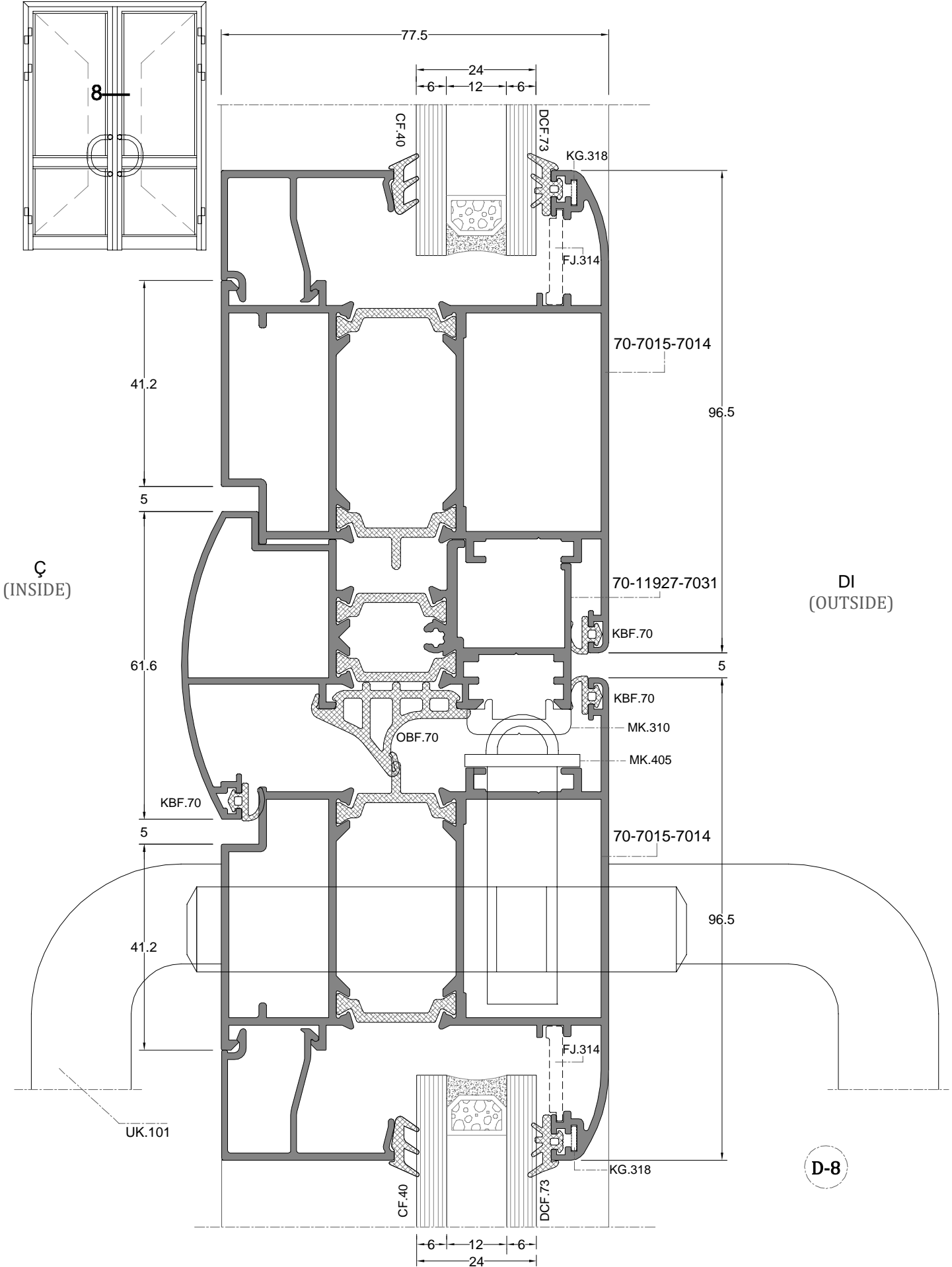
Ç
(INSIDE)



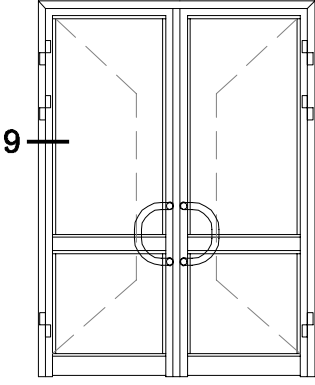
DI
(OUTSIDE)

D-7

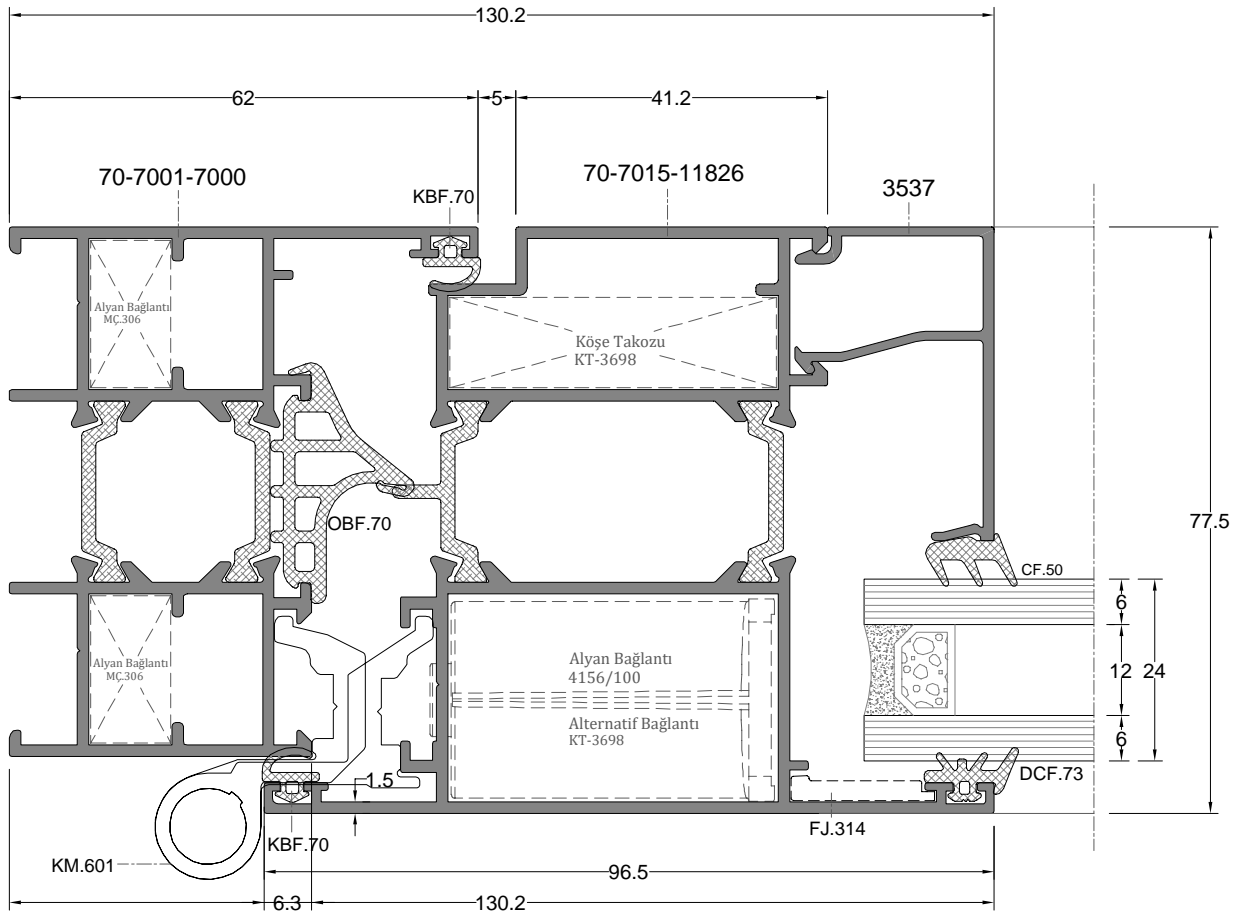
BİNİLİ DIŞA AÇILIR KAPI DETAY



D-8

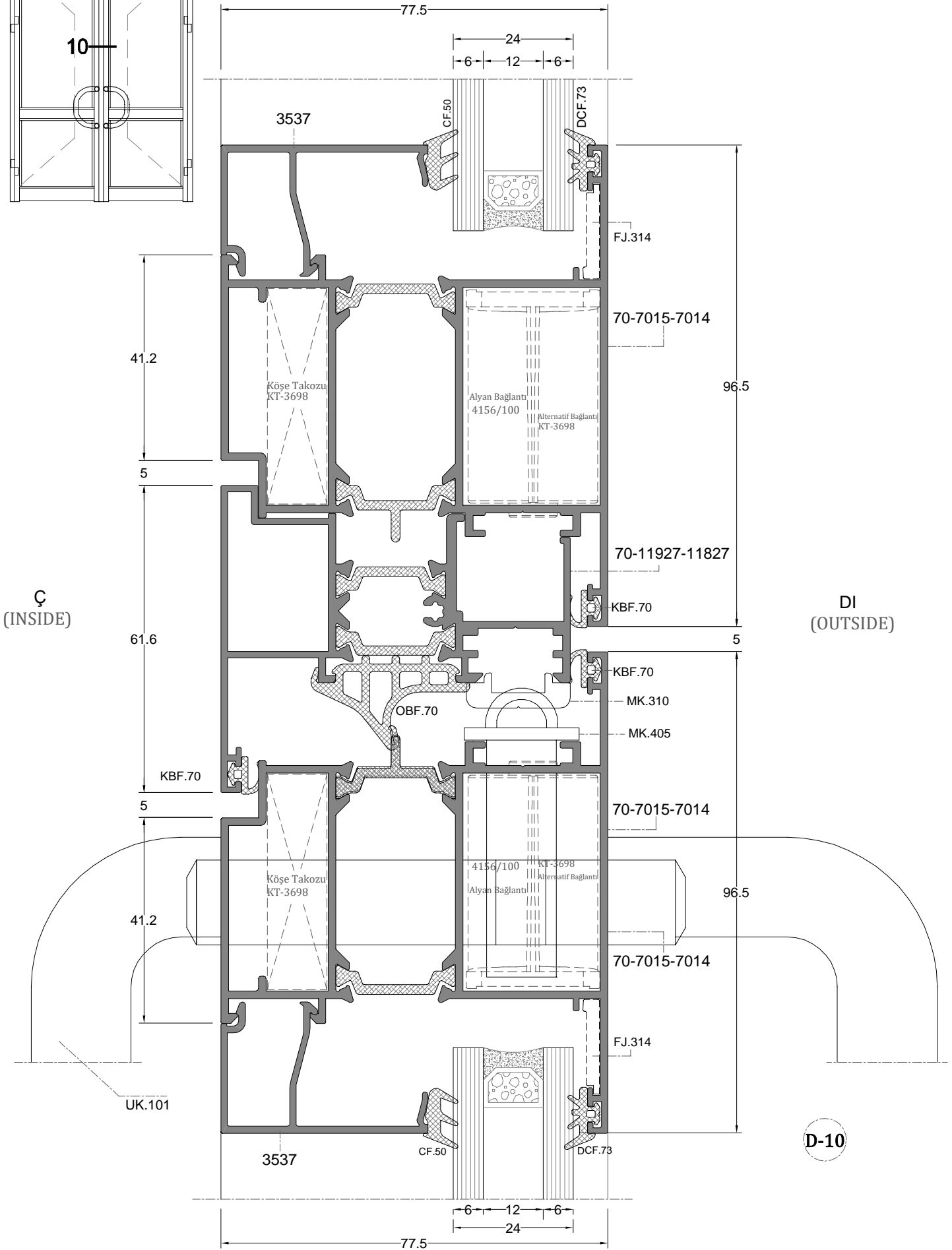
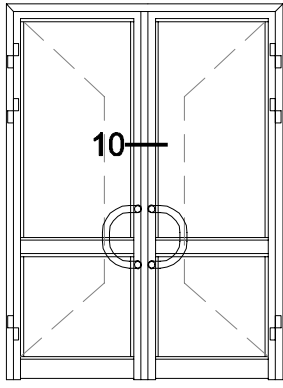


Ç
(INSIDE)

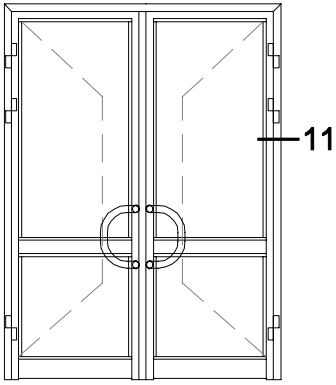


D-9

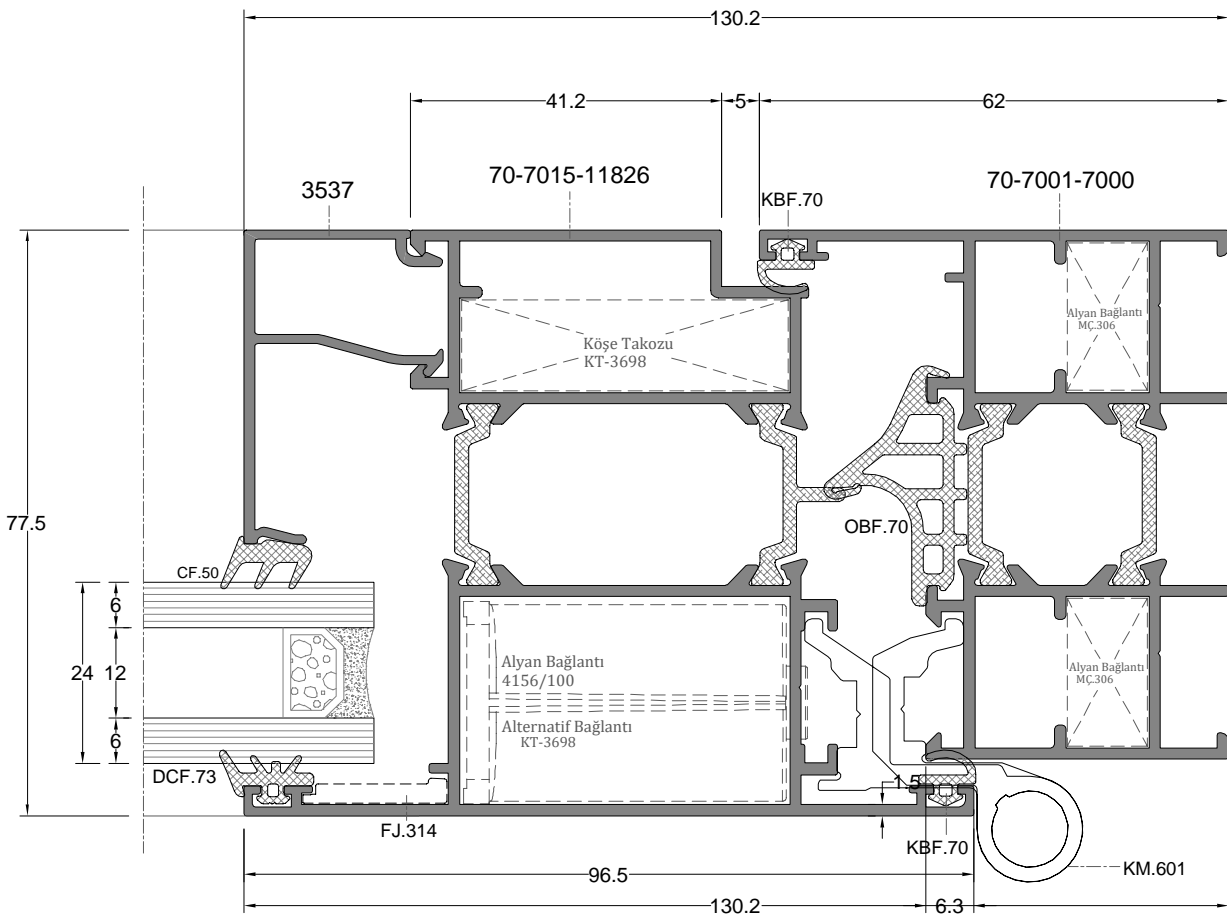
DI
(OUTSIDE)



D-10

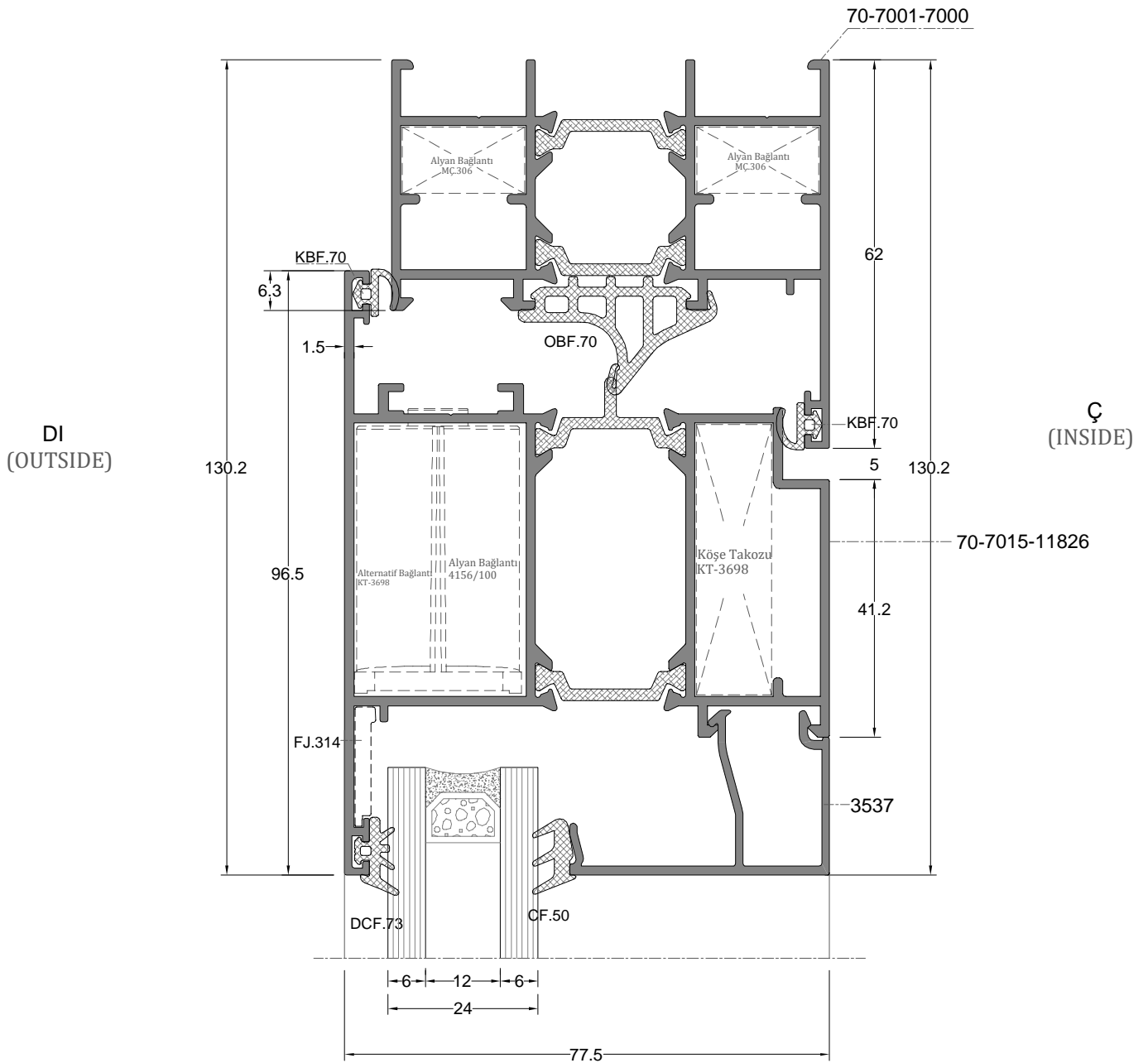
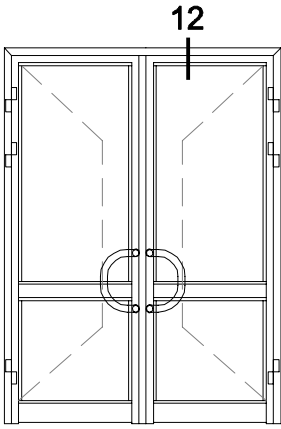


Ç
(INSIDE)



DI
(OUTSIDE)

D-11



D-12